

2024

IMPERIAL



CLASSIC BRITISH BATHROOMS



CLASSIC BRITISH BATHROOMS



IMPERIAL

Handcrafted perfection in the finest tradition

Precious craft skills handed down through the generations blend with the latest design ideas and manufacturing technology to create pieces of uncompromising originality and quality. Ours is a very special partnership between passionate creators who never stop pursuing excellence and discerning homeowners who will never settle for less than the best. Welcome to our latest Imperial collections, each one a celebration of absolute perfection.





From timbers comes great beauty

Since ancient times, people have enjoyed an emotional bond with trees. And today our love affair with wood is as strong as ever. No other material on earth matches its natural warmth and the rich variety of its grains and colours. For our collections, designers draw inspiration from responsibly managed forests around the world, while skilled woodworkers bring those ideas to glowing life with all the attention to detail you'd expect from Imperial.





15 million new UK trees planted, and counting

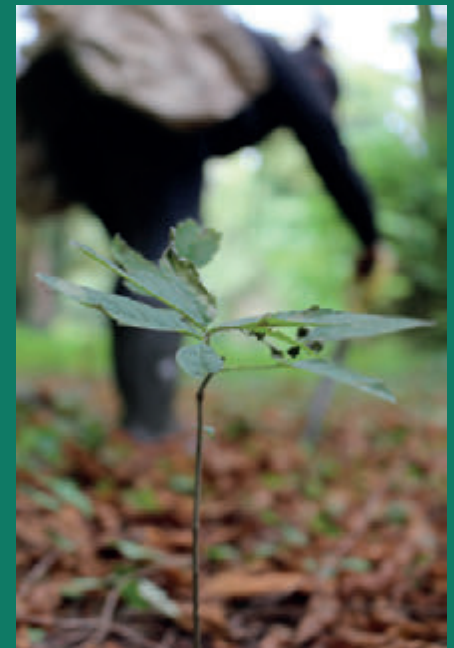
For every piece of Imperial Bathrooms furniture you buy, another new tree will be planted in your name.

The fine timbers featured in many of our products are always from sustainable sources. And we're also supporting the drive to establish new, thriving forests in the UK as part of a net-zero future.

That's why we're proud to partner with **Creating Tomorrow's Forests**. Their dedicated team is making Britain greener with an amazing 15 million trees planted so far, at the same time welcoming threatened wildlife species back into their natural habitats.

When you choose furniture by Imperial Bathrooms, you're playing your part in restoring the forests and woodlands that these islands have lost over the years.

You'll receive a unique certificate that not only confirms your commitment to sustainability, but also **shows exactly where your personal trees are located**. Using the GPS reference we'll provide, you can visit at any time to see how your very own piece of new British woodland is growing.



To learn more about how your Imperial Bathrooms purchase will help to make the UK greener, visit www.imperial-bathrooms.co.uk



THE COLLECTIONS BY IMPERIAL

So many choices – just imagine how many ways you could bring together our classic white ceramics, distinctive basin stands and luxury furniture. The bathing experience you've promised yourself starts here.

Regent Collection

10

Radcliffe Collection

38

Carlyon Collection

60

Astoria Deco Collection

86

Bathing

96

Brassware

116

Shower Collection

138

Accessories and spare parts

158



THE REGENT COLLECTION

This special collection is the very definition of timeless. Evoke a strictly period bathroom style, or explore an eclectic mix of traditional and contemporary with touches like concealed cisterns.

Basin Stands

12

Regent Console

18

Regent Bay Furniture

22

Ceramic Collection

26

Regent Basin Stands

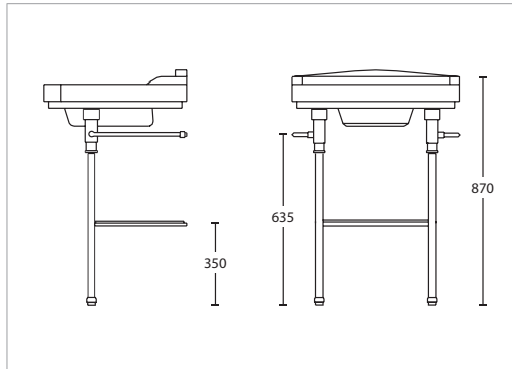
Nothing says Victorian opulence quite like a gleaming white basin set upon a beautifully crafted basin stand. The Regent collection provides this charming option, with legs in white ceramic or a choice of polished finishes.







CHARLOTTE Basin Stand and Console Stand



Regent basin - 700mm

(1 tap hole)

White RG1LB11030

(3 tap hole)

White RG1LB31030

Charlotte basin stand for the Regent basin

Chrome ZXBS9310100

Antique Gold ZXBS9310200

Polished Nickel ZXBS9310300



"P" trap basin

Chrome XO60160100

Antique Gold XO60160200

Polished Nickel XO60160300



"S" trap basin

Chrome XO60150100

Antique Gold XO60150200

Polished Nickel XO60150300



Traditional 1/4 basin bottle trap

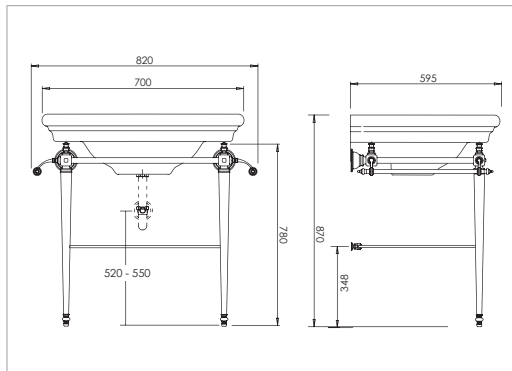
Chrome XO60130100N

Antique Gold XO60130200N

Polished Nickel XO60130300N



HAMPTON Basin Stand and Large Basin



Regent basin - 700mm

(1 tap hole)

White RG1LB11030

(3 tap hole)

White RG1LB31030

Hampton basin stand

Chrome ZXBS9210100

Antique Gold ZXBS9210200

Polished Nickel ZXBS9210300



"P" trap basin

Chrome XO60160100

Antique Gold XO60160200

Polished Nickel XO60160300



"S" trap basin

Chrome XO60150100

Antique Gold XO60150200

Polished Nickel XO60150300



Traditional 1/4 basin bottle trap

Chrome XO60130100N

Antique Gold XO60130200N

Polished Nickel XO60130300N





Regent Console

A stunning further option from the Regent Collection. The Louis-style legs in gleaming white ceramic are reminiscent of original French pieces from the late 1800s. You can then complete the period look with fittings in a choice of finishes.

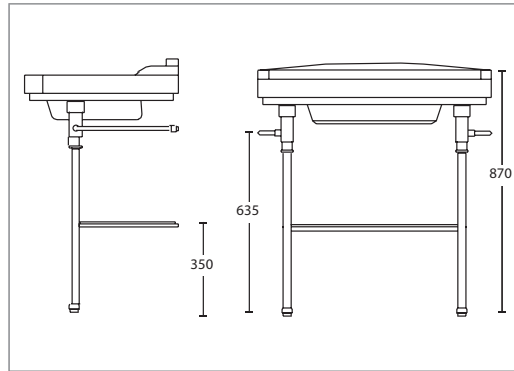
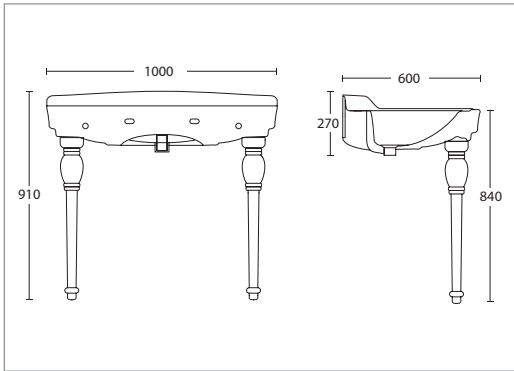


REGENT Console and REGENT Charlotte Console Stand



"P" trap basin

Chrome	XO60160100
Antique Gold	XO60160200
Polished Nickel	XO60160300



"S" trap basin

Chrome	XO60150100
Antique Gold	XO60150200
Polished Nickel	XO60150300

Regent console - 1000mm

(1 tap hole)

White RG1CN11030

(3 tap hole)

White RG1CN31030

Regent console legs (2)

White RG1LG01000

Regent console - 1000mm

(1 tap hole)

White RG1CN11030

(3 tap hole)

White RG1CN31030

Charlotte Console Stand for the Regent Console

Chrome ZXBS9410100

Antique Gold ZXBS9410200

Polished Nickel ZXBS9410300

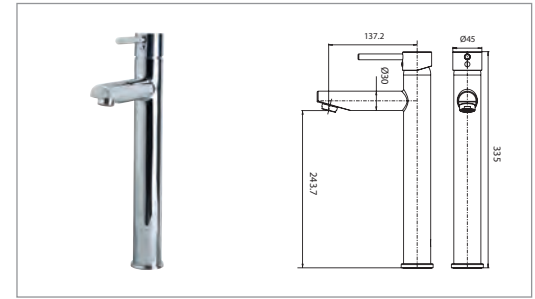


Traditional 1/4 basin bottle trap

Chrome	XO60130100N
Antique Gold	XO60130200N
Polished Nickel	XO60130300N



As shown with Radcliffe wall mounted taps

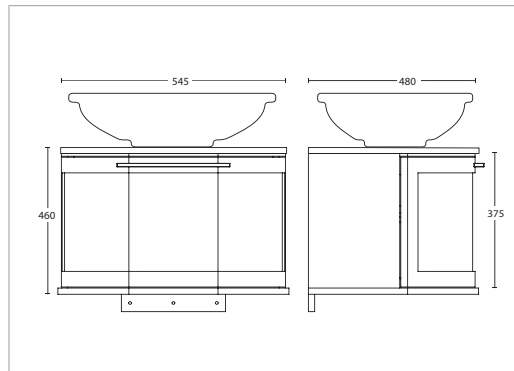
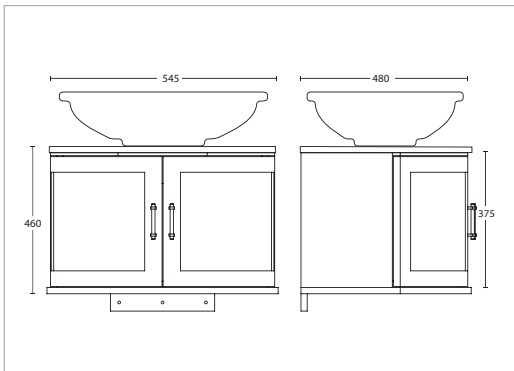


Expressions tall monobloc mixer

(For use with Regent Bay Composite top 1 tap hole)

Chrome

EX40000100



Radcliffe 3 hole wall mixer

(For use with Regent Bay Composite top 0 tap hole)

White Ceramic Lever

Chrome

RAD3WBMWCP

Antique Gold

RAD3WBMWAG

Polished Nickel

RAD3WBMWPN

Black Ceramic Lever

Chrome

RAD3WBMBCP

Antique Gold

RAD3WBMBAG

Polished Nickel

RAD3WBMBPN

Click clack basin waste

Slotted Waste

Chrome

XO60110300

Antique Gold

XO60110301

Polished Nickel

XO60110300PN

Free flow waste

Chrome

XO60110401

Antique Gold

XO60110402

Polished Nickel

XO60110403

Regent counter top basin

White

RG1VB01030

(*Prices above do not include waste fittings)

Regent Bay Vanity unit with 2 doors

(unit excludes the work top / basin and waste)

Matt Black

BAYLBDW0060

Dartmouth Grey

BAYLBDW0062

Sea Mist

BAYLBDW0064

Composite top (0 tap hole)

Concrete

XMA03103CN

Carrara White Gloss

XMA03103DA

White Satin

XMA03103WH

Composite top (1 tap hole)*

(*Expressions tall monobloc mixer sold separately)

Concrete

XMA03113CN

Carrara White Gloss

XMA03113DA

White Satin

XMA03113WH

Regent counter top basin

White

RG1VB01030

(*Prices above do not include waste fittings)

Bay Vanity unit with 1 drawer

(unit excludes the work top / basin and waste)

Matt Black

BAYLBDR0060

Dartmouth Grey

BAYLBDR0062

Sea Mist

BAYLBDR0064

Composite top (0 tap hole)

Concrete

XMA03103CN

Carrara White Gloss

XMA03103DA

White Satin

XMA03103WH

Composite top (1 tap hole)*

(*Expressions tall monobloc mixer sold separately)

Concrete

XMA03113CN

Carrara White Gloss

XMA03113DA

White Satin

XMA03113WH

** For work top colours please look at the rear of brochure for the colour swatches





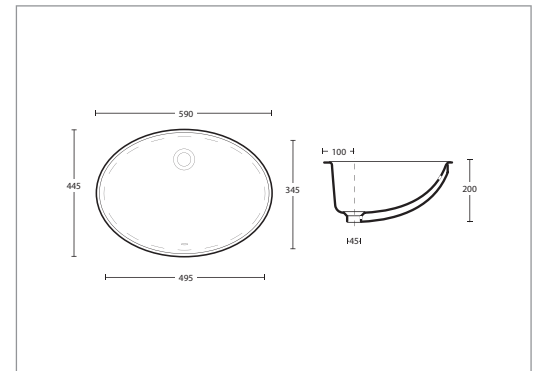
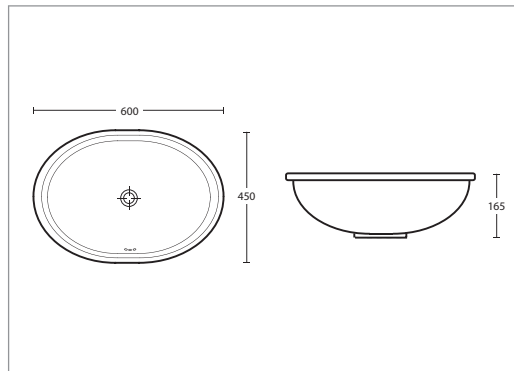
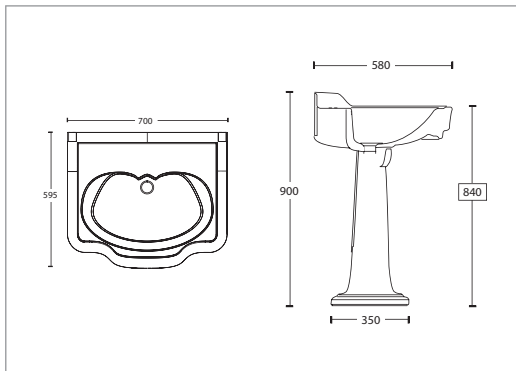




Regent Ceramic Ware

Will you opt for a cistern that's close coupled or fully concealed? Your basin on a traditional pedestal or a stand? Pan and bidet floor standing or wall hung? Soft close seat in wood or painted finish? You'll enjoy being spoilt for choice.

REGENT



A) Basin - 700mm

(1 tap hole)

White RG1LB11030

(3 tap hole)

White RG1LB31030

B) Pedestal

White RG1PE01000

Counter top basin

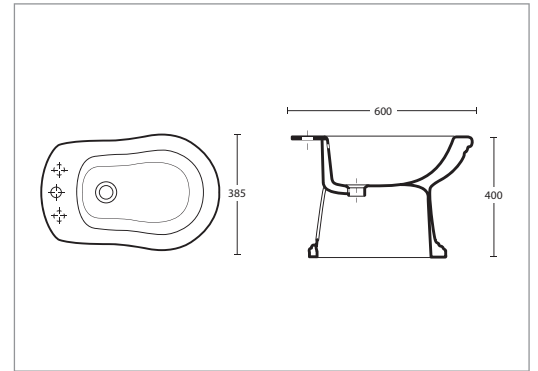
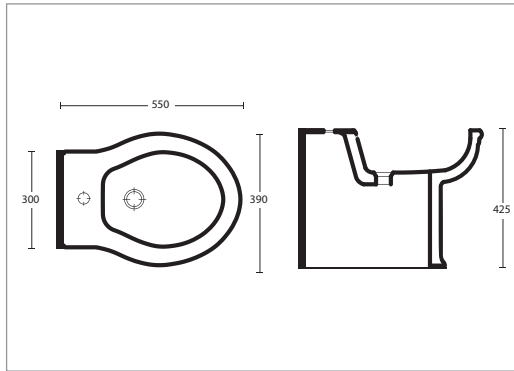
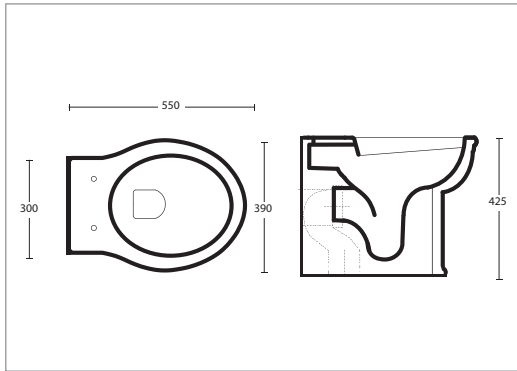
White RG1VB01030

Under counter basin

White RG1US01000



REGENT



Back to wall pan

(supplied without cistern fittings)

(For use with Regent seat)

White RG1BC01030

Back to wall bidet

(1 tap hole)

White RG1BB11030

Free standing bidet

(1 tap hole)

White RG1BI11030

Concealed cistern with the extended lever

Extended lever

White/Chrome ZX012E00100

White/Antique Gold ZX012E00200

White/Polished Nickel ZX012E00300

Concealed cistern & push button

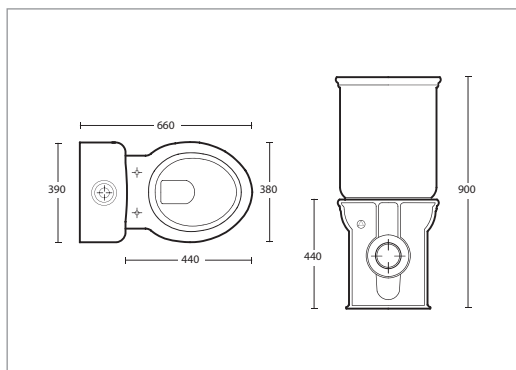
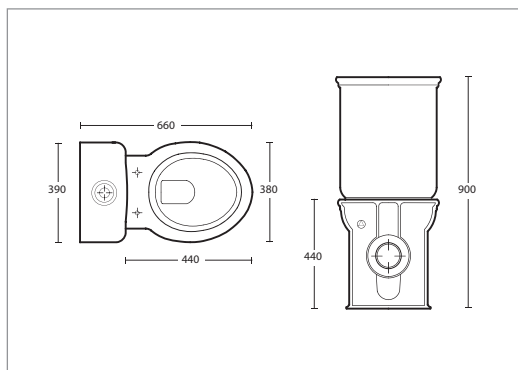
White/Chrome XC12001100

White/Antique Gold XC12001200

White/Polished Nickel XC12001300







A) Close coupled cistern with lever

(including all the components)

Lever hole on right hand side

fittings

White/Chrome ZRGCC01000C

White/Antique Gold ZRGCC01000I

White/Polished Nickel ZRGCC01000N

B) Close coupled Pan P Trap (Horizontal)

(For use with Hampton seat)

White RG1WCC1030

A) Close coupled cistern push button

(including all the components)

fittings

White/Chrome ZRG3CC01000C

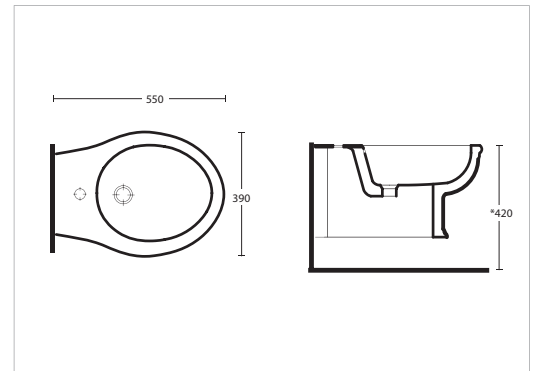
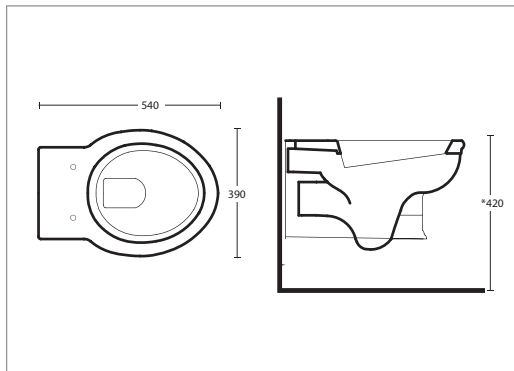
White/Antique Gold ZRG3CC01000I

White/Polished Nickel ZRG3CC01000N

B) Close coupled Pan P Trap (Horizontal)

(For use with Hampton seat)

White RG1WCC1030



Wall hung pan

(supplied without cistern fittings)

(For use with *Regent* seat)

White

RG1WH01030

Wall hung bidet

(1 tap hole)

White

RG1BH11030

Concealed cistern with the extended lever

Extended lever

White/Chrome ZXO12E00100

White/Antique Gold ZXO12E00200

White/Polished Nickel ZXO12E00300

Concealed cistern & push button

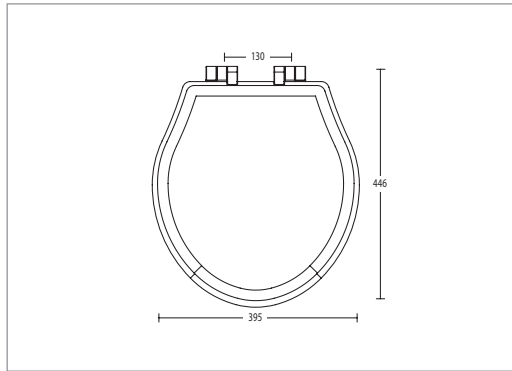
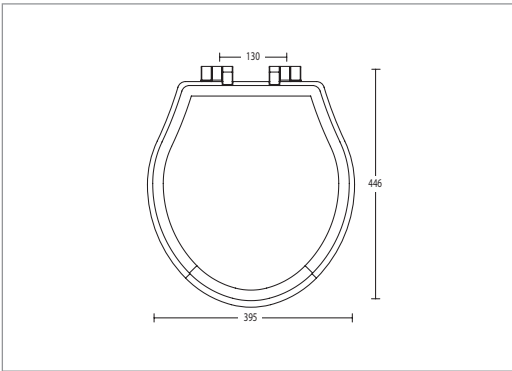
White/Chrome XC12001100

White/Antique Gold XC12001200

White/Polished Nickel XC12001300







**Regent solid wood toilet seat -
with soft-close hinge**
Supplied with seat lid lift handle in the box

Chrome
Natural Oak XR50000120NSB

Antique Gold
Natural Oak XR50000220NSB

Polished Nickel
Natural Oak XR50000320NSB

**Regent painted toilet seat -
with soft-close hinge**
Supplied without seat lid lift handle

Chrome
White (Smooth) XR50000110NSB
Matt Black Grained XR50000150NSB

Antique Gold
White (Smooth) XR50000210NSB
Matt Black Grained XR50000350NSB

Polished Nickel
White (Smooth) XR50000310NSB
Matt Black Grained XR50000350NSB



Fradley Large Wall Hung Vanity unit 2 drawer

THE RADCLIFFE COLLECTION

Combine our classic Radcliffe ceramic ware with your personal selection of co-ordinated basin stands and real wood furniture from this collection to create your own unique statement.

Fradley Collection

40

Basin Stands

48

Ceramic Collection

54

Radcliffe Fradley Furniture

This beautifully hand crafted range brings together the Radcliffe vanity basin with a Fradley wall-mounted or free standing unit with finishes including Matt Black, Sea Mist and Dartmouth Grey. You will also find the refinement of soft-close doors.

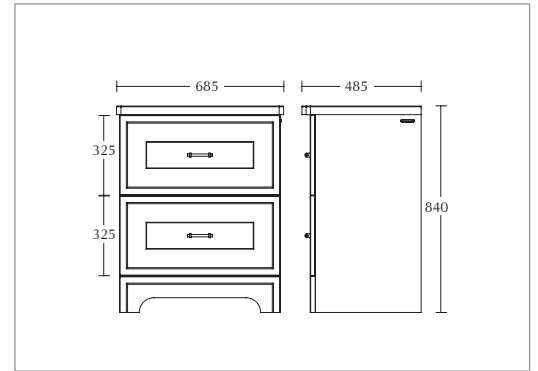
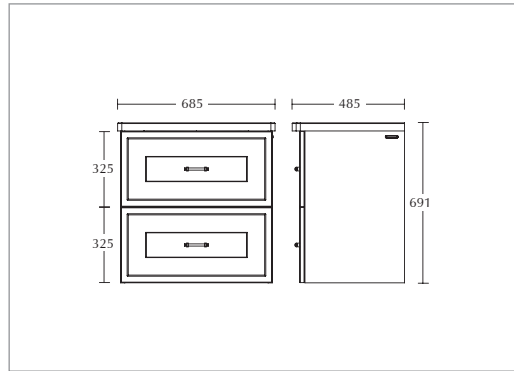
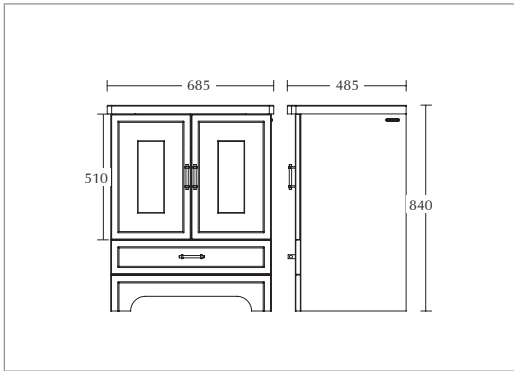




Fradley Radcliffe Medium 2 door unit in matt black grained



Fradley 2 door and 1 drawer vanity unit



Radcliffe large vanity basin

(1 tap hole) White RD1IB11030N
 (3 tap hole) White RD1IB31030N

Radcliffe large vanity basin

(1 tap hole) White RD1IB11030N
 (3 tap hole) White RD1IB31030N

Radcliffe large vanity basin

(1 tap hole) White RD1IB11030N
 (3 tap hole) White RD1IB31030N

Fradley 2 door and 1 drawer vanity unit

Matt Black XWT0330050
 Dartmouth Grey XWT0330052
 Sea Mist XWT0330054
 Natural Oak XWT0330020N

Fradley wall hung 2 drawer vanity unit

Matt Black XWT0310050
 Dartmouth Grey XWT0310052
 Sea Mist XWT0310054

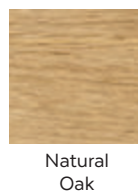
Fradley Free standing 2 drawer vanity unit

Matt Black XWT0320050
 Dartmouth Grey XWT0320052
 Sea Mist XWT0320054

All Fradley furniture are available in following finishes:



2 door and 1 drawer vanity unit also available in:

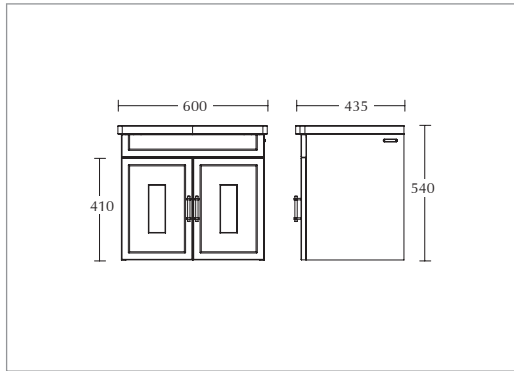
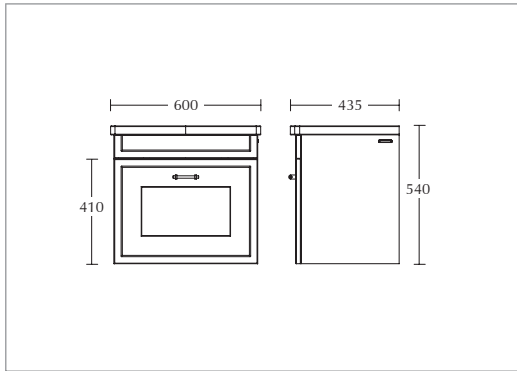






Fradley Free standing 2 drawer vanity unit

RADCLIFFE Fradley Furniture



Radcliffe medium vanity basin

(1 tap hole) White RD1MI11030N
 (3 tap hole) White RD1MI31030N

Radcliffe medium vanity basin

(1 tap hole) White RD1MI11030N
 (3 tap hole) White RD1MI31030N

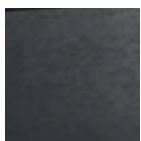
Fradley medium wall hung 1 drawer vanity unit

Matt Black XWT0360050
 Dartmouth Grey XWT0360052
 Sea Mist XWT0360054

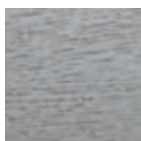
Fradley medium wall hung 2 door vanity unit

Matt Black XWT0350050
 Dartmouth Grey XWT0350052
 Sea Mist XWT0350054

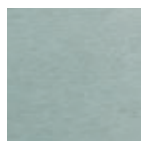
All Fradley furniture are available in following finishes:



Matt Black



Dartmouth
Grey



Sea Mist



"P" trap basin

Chrome XO60160100
 Antique Gold XO60160200
 Polished Nickel XO60160300



"S" trap basin

Chrome XO60150100
 Antique Gold XO60150200
 Polished Nickel XO60150300



Traditional 1/4 basin bottle trap

Chrome XO60130100N
 Antique Gold XO60130200N
 Polished Nickel XO60130300N







Radcliffe Basin Stands

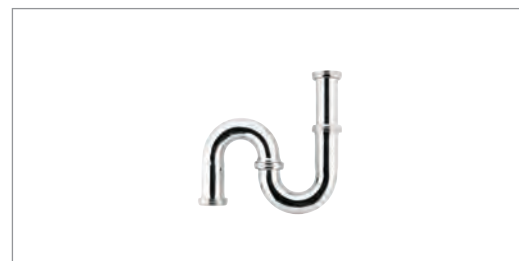
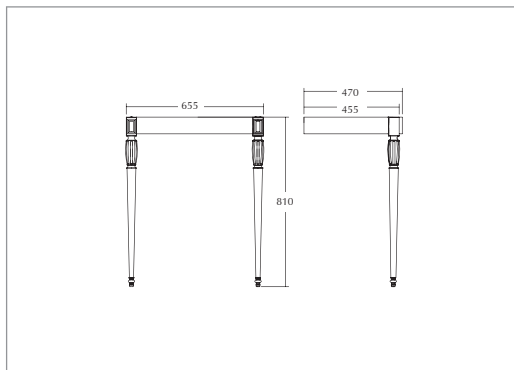
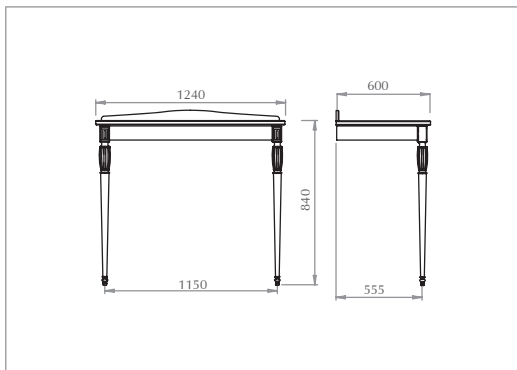
With Radcliffe you have many exciting styling options. You can mount a Radcliffe vanity basin on a traditional hand-crafted stand in a range of sophisticated finishes or you can opt for a Radcliffe under-counter basin (as shown here) mounted within a period-style console with composite top in Concrete, Carrara White Gloss, Nimbus Grey or White Satin finishes.

RADCLIFFE Basin Stands



"P" trap basin

Chrome	XO60160100
Antique Gold	XO60160200
Polished Nickel	XO60160300



"S" trap basin

Chrome	XO60150100
Antique Gold	XO60150200
Polished Nickel	XO60150300

Radcliffe under counter basin

White RD1US01030
(*Prices above do not include waste fittings)

Troon Console Unit

The top can be manufactured with either a single or double basin option - please specify when ordering. **3-4 week lead time

Leg & Trim

Chrome	ZXBS1110100
Antique Gold	ZXBS1110200
Polished Nickel	ZXBS1110300

Composite top without splashback (3 tap hole)**

Concrete	XMAO2103CN
Carrara White Gloss	XMAO2103DA
Nimbus Grey	XMAO2103NG
White Satin	XMAO2103WH

Composite splashback**

Concrete	XMAO210SBCN
Carrara White Gloss	XMAO210SBDA
Nimbus Grey	XMAO210SBNG
White Satin	XMAO210SBWH

Radcliffe vanity basin - 685mm

(1 tap hole)*
White RD1IB11030N

(3 tap hole)*
White RD1IB31030N

(*Prices above do not include waste fittings)

Troon Radcliffe basin stand

Leg & Trim	
Chrome	ZXBS1100100
Antique Gold	ZXBS1100200
Polished Nickel	ZXBS1100300



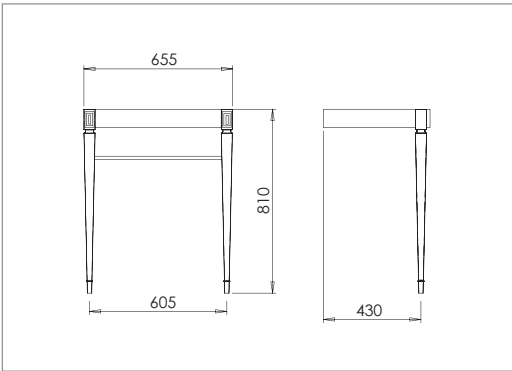
Traditional 1/4 basin bottle trap

Chrome	XO60130100N
Antique Gold	XO60130200N
Polished Nickel	XO60130300N





RADCLIFFE Basin Stands



Radcliffe vanity basin - 685mm

(1 tap hole)*

White RD1IB11030N

(3 tap hole)*

White RD1IB31030N

(*Prices above do not include waste fittings)

Adare basin stand

Leg & Trim

Chrome ZXBS1200100

Antique Gold ZXBS1200200

Polished Nickel ZXBS1200300



"P" trap basin

Chrome XO60160100

Antique Gold XO60160200

Polished Nickel XO60160300



"S" trap basin

Chrome XO60150100

Antique Gold XO60150200

Polished Nickel XO60150300



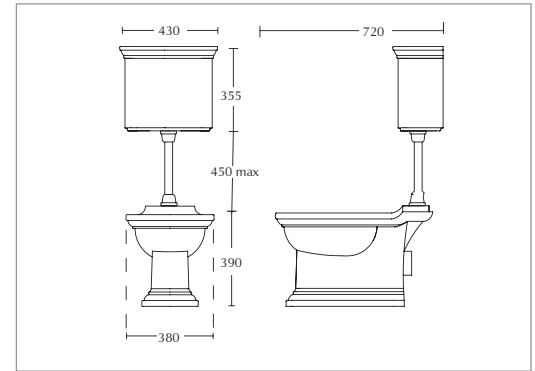
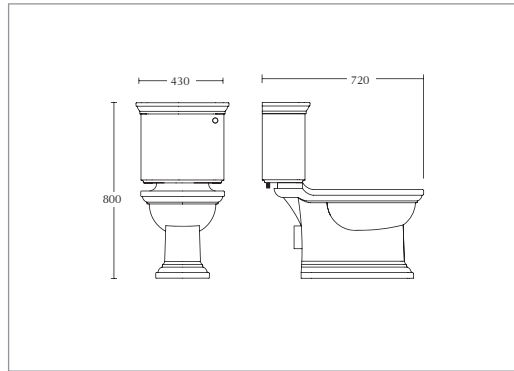
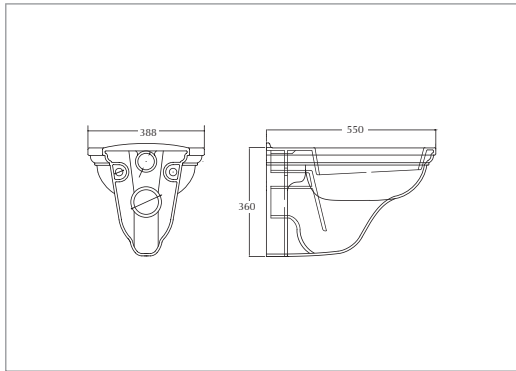
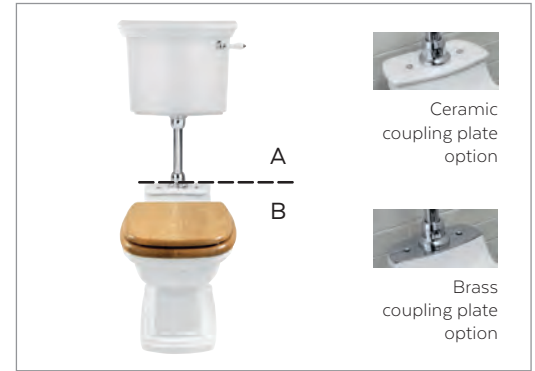
Traditional 1/4 basin bottle trap

Chrome XO60130100N

Antique Gold XO60130200N

Polished Nickel XO60130300N

RADCLIFFE



Wall-hung pan

(supplied without fittings and supporting brackets)

(For use with Oval seat)

White RD1WH01030

Concealed cistern with the extended lever

Extended lever

White/Chrome ZX012E00100

White/Antique Gold ZX012E00200

White/Polished Nickel ZX012E00300

Concealed cistern & push button

White/Chrome XC12001100

White/Antique Gold XC12001200

White/Polished Nickel XC12001300

A) Radcliffe close coupled cistern

Lever Option

fittings

White/Chrome ZRDCC01000C

White/Antique Gold ZRDCC01000I

White/Polished Nickel ZRDCC01000N

B) Pan P Trap (Horizontal)

(For use with the Radcliffe seat)

White RD1WC01030

A) Low level cistern - Ceramic plate option

(including all the components)

fittings

White/Chrome ZRDLC01000C

White/Antique Gold ZRDLC01000I

White/Polished Nickel ZRDLC01000N

A) Low level cistern - Brass chrome plate option

(including all the components)

fittings

White/Chrome ZRDLC01000CB

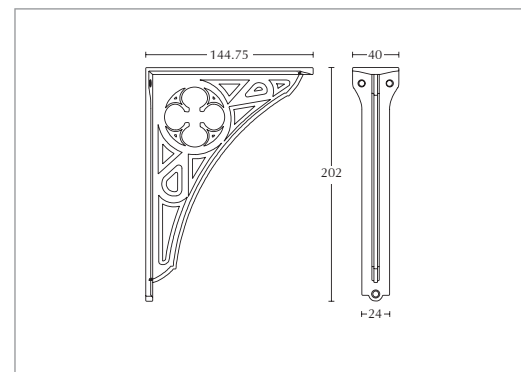
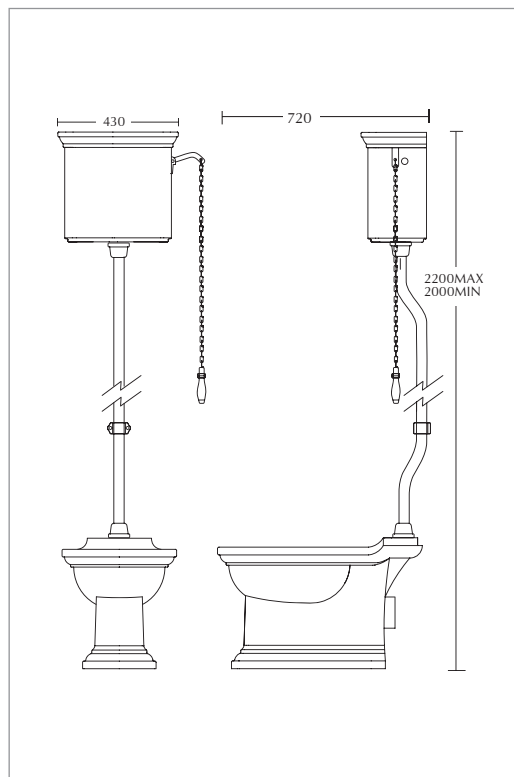
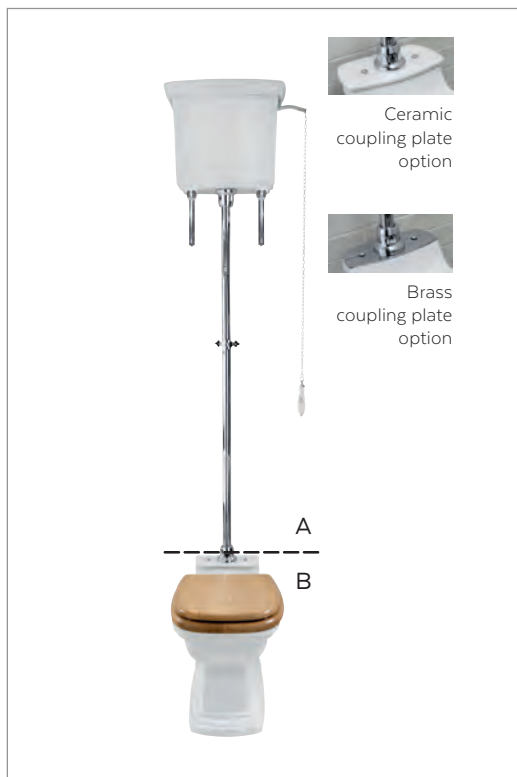
White/Antique Gold ZRDLC01000IB

White/Polished Nickel ZRDLC01000NB

B) Pan P Trap (Horizontal)

(For use with the Radcliffe seat)

White RD1WC01030



A) High level cistern - Ceramic plate option
(including all the components and ornate brackets) fittings

White/Chrome	ZRDHC01000C
White/Antique Gold	ZRDHC01000I
White/Polished Nickel	ZRDHC01000N

A) High level cistern - Brass chrome plate option
(including all the components and ornate brackets) fittings

White/Chrome	ZRDHC01000CB
White/Antique Gold	ZRDHC01000IB
White/Polished Nickel	ZRDHC01000NB

B) Pan P Trap (Horizontal)

(For use with the Radcliffe seat)

White	RD1WC01030
-------	------------

Ideal for use with

B) Ceramic connectors

236mm	
White	XZ18070020
330mm	
White	XZ18070010

B) Ceramic bend connector

White	XZ18070000
-------	------------

Plumber's mait - 750g

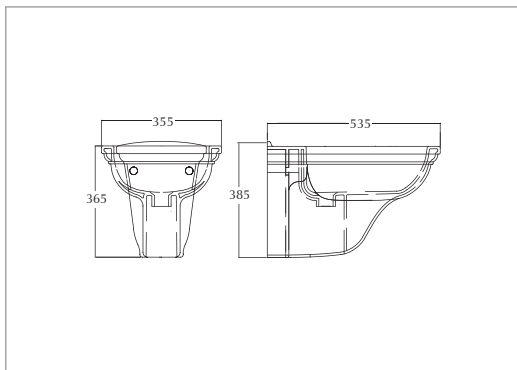
For use with
ceramic connectors PLUMB01

Ironbridge Metal High L cistern brackets

(Pair)

Chrome	XO18000030C
Antique Gold	XO18000030I
Polished Nickel	XO18000030N

RADCLIFFE



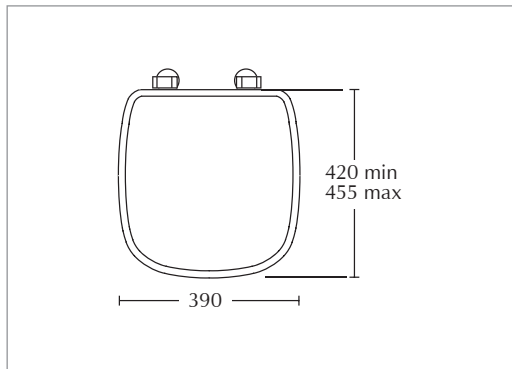
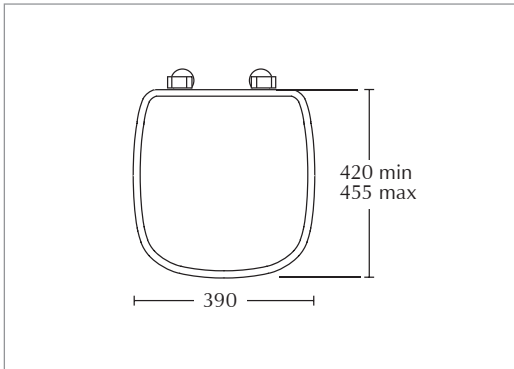
Wall-hung bidet

(supplied without supporting brackets)

(1 tap hole)

White

RD1BH11030



**Radcliffe solid wood toilet seat -
with soft-close hinge**

Supplied with seat lid lift handle in the box

Chrome

Natural Oak XW50000120NSB

Antique Gold

Natural Oak XW50000220NSB

Polished Nickel

Natural Oak XW50000320NSB

**Radcliffe painted toilet seat -
with soft-close hinge**

Supplied without seat lid lift handle

Chrome

White (Smooth) XW50000110NSB

Matt Black Grained XW50000150NSB

Dartmouth Grey Grained XW50000152NSB

Sea Mist Grained XW50000154NSB

Antique Gold

White (Smooth) XW50000210NSB

Matt Black Grained XW50000250NSB

Dartmouth Grey Grained XW50000252NSB

Sea Mist Grained XW50000254NSB

Polished Nickel

White (Smooth) XW50000310NSB

Matt Black Grained XW50000350NSB

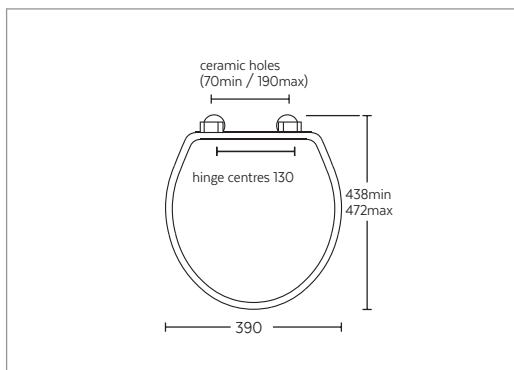
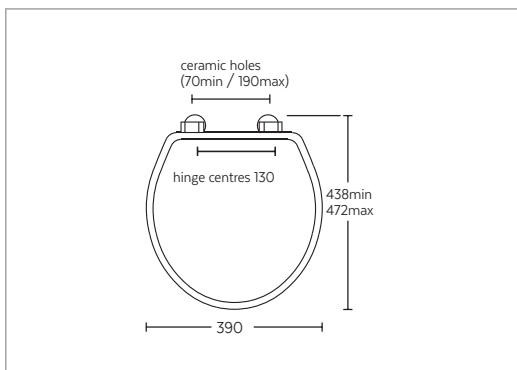
Dartmouth Grey Grained XW50000352NSB

Sea Mist Grained XW50000354NSB

Note : Grained seats suitable for the Fradley Furniture

OVAL Toilet Seat Options

SOFT - CLOSE



Oval solid wood toilet seat - with soft-close hinge

Supplied with seat lid lift handle in the box

Chrome

Natural Oak XX50008120NSB

Antique Gold

Natural Oak XX50008220NSB

Polished Nickel

Natural Oak XX50008320NSB

Oval painted toilet seat - with soft-close hinge

Supplied without seat lid lift handle

Chrome

White (Smooth) XX50008110NSB

Matt Black Grained XX50008150NSB

Dartmouth Grey Grained XX50008152NSB

Sea Mist Grained XX50008154NSB

Antique Gold

White (Smooth) XX50008210NSB

Matt Black Grained XX50008250NSB

Dartmouth Grey Grained XX50008252NSB

Sea Mist Grained XX50008254NSB

Polished Nickel

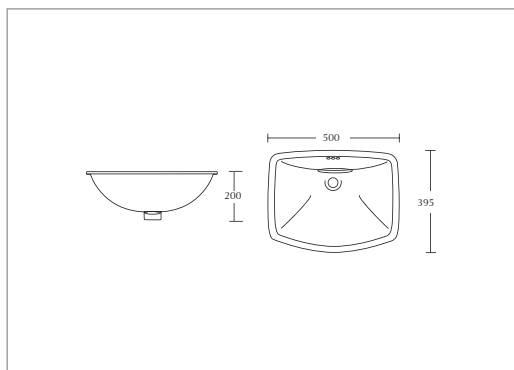
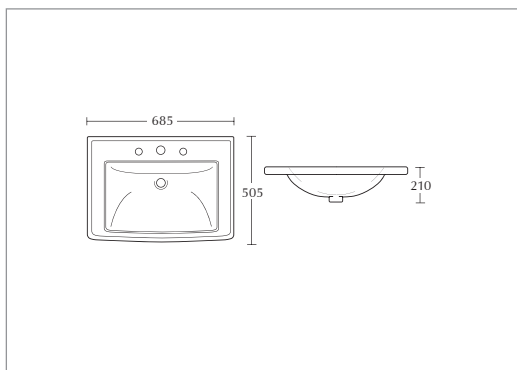
White (Smooth) XX50008310NSB

Matt Black Grained XX50008350NSB

Dartmouth Grey Grained XX50008352NSB

Sea Mist Grained XX50008354NSB

Note : Grained seats suitable for the Fradley Furniture



Vanity basin - 685mm

(For use with the basin stands or furniture vanity units)

(1 tap hole)

White RD1IB11030N

(3 tap hole)

White RD1IB31030N

Medium slab basin (not shown)

(For use with the basin stands or furniture vanity units)

(1 tap hole)

White RD1MI11030N

(3 tap hole)

White RD1MI31030N

Under counter basin

White

RD1US01030



THE CARLYON COLLECTION

An inspiring selection of distinctive ceramic ware, showpiece basin stands and furniture in rich wood finishes for you to mix and match in any way you like, creating your own style.

Bay Collection

64

Basin Stands

70

Sienna Cloakroom Basin Units

74

Ceramic Collection

76





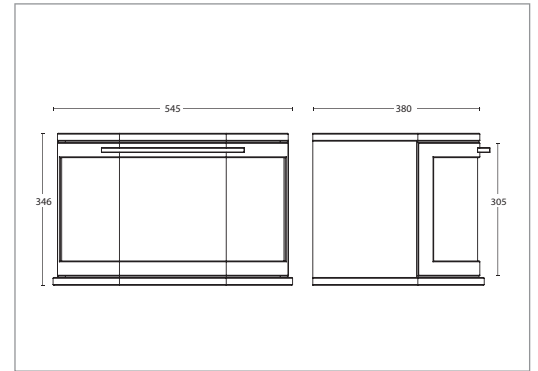
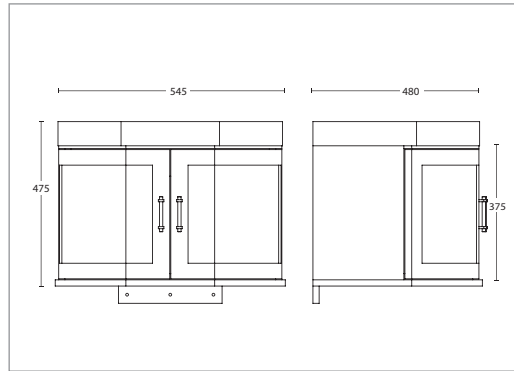
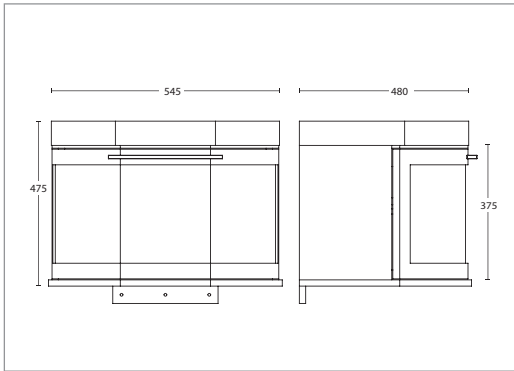




Carlyon Bay Collection

Bay is another elegant expression of the Carlyon Collection's character. An exquisite collection of wooden furniture to complement the fluid curves of the Carlyon basin. Available in Matt Black, Dartmouth Grey or Sea Mist finish. Closer inspection will reveal the further refinement of soft-close drawers or doors.





Carlyon large basin - 720mm

(1 tap hole)

White CR1LB11030N

(3 tap hole)

White CR1LB31030N

Large Bay 1 drawer wall hung vanity unit

Chrome

Matt Black ZBAYLBDW0060CP

Dartmouth Grey ZBAYLBDW0062CP

Sea Mist ZBAYLBDW0064CP

Antique Gold

Matt Black ZBAYLBDW0060AG

Dartmouth Grey ZBAYLBDW0062AG

Sea Mist ZBAYLBDW0064AG

Polished Nickel

Matt Black ZBAYLBDW0060PN

Dartmouth Grey ZBAYLBDW0062PN

Sea Mist ZBAYLBDW0064PN

Carlyon large basin - 720mm

(1 tap hole)

White CR1LB11030N

(3 tap hole)

White CR1LB31030N

Large Bay 2 door wall hung vanity unit

Chrome

Matt Black ZBAYLBDR0060CP

Dartmouth Grey ZBAYLBDR0062CP

Sea Mist ZBAYLBDR0064CP

Antique Gold

Matt Black ZBAYLBDR0060AG

Dartmouth Grey ZBAYLBDR0062AG

Sea Mist ZBAYLBDR0064AG

Polished Nickel

Matt Black ZBAYLBDR0060PN

Dartmouth Grey ZBAYLBDR0062PN

Sea Mist ZBAYLBDR0064PN

A) Medium basin - 610mm

(1 tap hole)

White CR1MB11030N

(3 tap hole)

White CR1MB31030N

Medium Bay 1 drawer wall hung vanity unit

Chrome

Matt Black ZBAYMBDW0060CP

Dartmouth Grey ZBAYMBDW0062CP

Sea Mist ZBAYMBDW0064CP

Antique Gold

Matt Black ZBAYMBDW0060AG

Dartmouth Grey ZBAYMBDW0062AG

Sea Mist ZBAYMBDW0064AG

Polished Nickel

Matt Black ZBAYMBDW0060PN

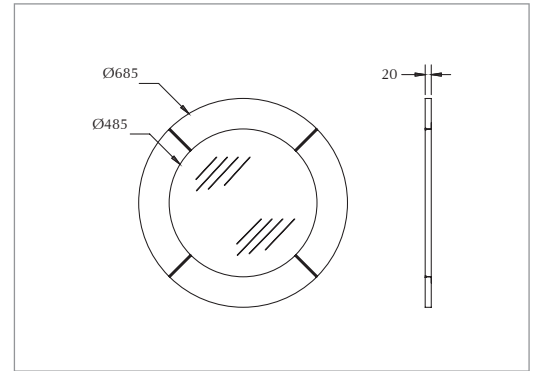
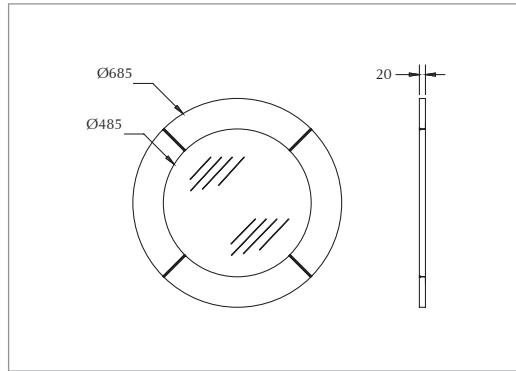
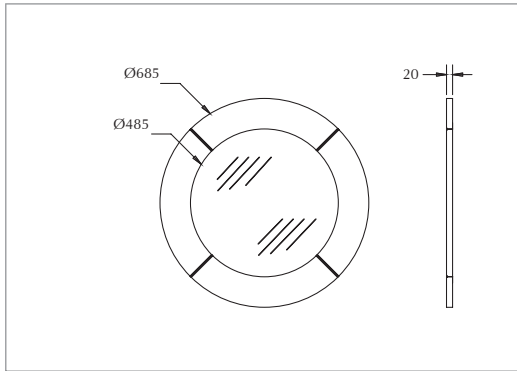
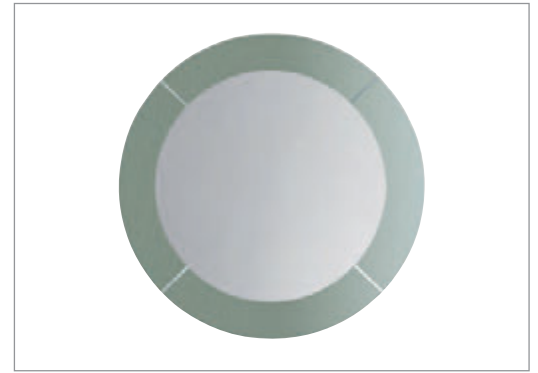
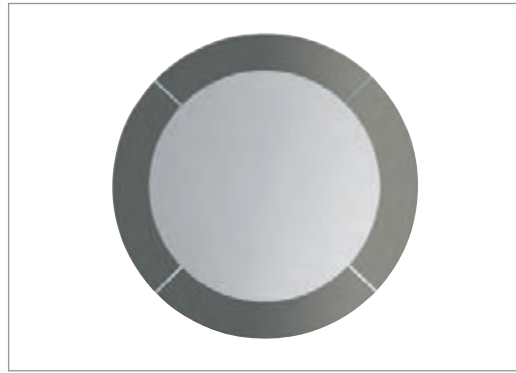
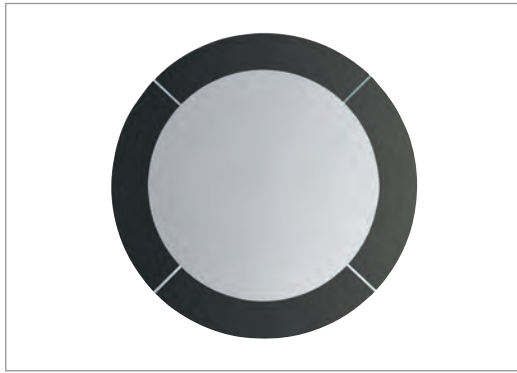
Dartmouth Grey ZBAYMBDW0062PN

Sea Mist ZBAYMBDW0064PN

Please Note: Antique Gold and Polished Nickel finishes incur a 15 - 20 day lead time as they are made to order.

For further technical information go to: www.imperialtechspec.com; Technical drawings are subject to change and therefore they are for guideline purpose only.

CARLYON Bay Mirrors



Carlyon Bay mirror - 685mm
(with chrome strip detail)

Matt Black

BAYMRO0160

Carlyon Bay mirror - 685mm
(with chrome strip detail)

Dartmouth Grey

BAYMRO0162

Carlyon Bay mirror - 685mm
(with chrome strip detail)

Sea Mist

BAYMRO0164



Carlyon Medium Vanity unit in Matt Black Grained finish with a Large Bay Mirror

Carlyon Basin Stands

These classic basin stands with elegant legs and exposed waste are a wonderful way to indulge your love of period home styling. To support our Carlyon basin you can choose a stand with either chrome or glass legs.

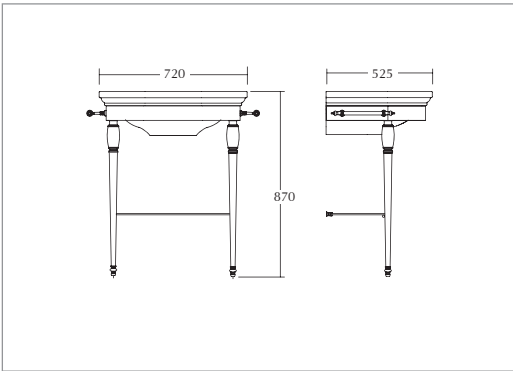






IMPERIAL

CARLYON Basin Stands



Carlyon large basin - 720mm

(1 tap hole)

White CR1LB11030N

(3 tap hole)

White CR1LB31030N

Carlyon large basin stand with glass shelf and chrome legs

Chrome ZXBS3900100

Antique Gold ZXBS3900200

Polished Nickel ZXBS3900300



"P" trap basin

Chrome XO60160100

Antique Gold XO60160200

Polished Nickel XO60160300



"S" trap basin

Chrome XO60150100

Antique Gold XO60150200

Polished Nickel XO60150300



Traditional 1/4 basin bottle trap

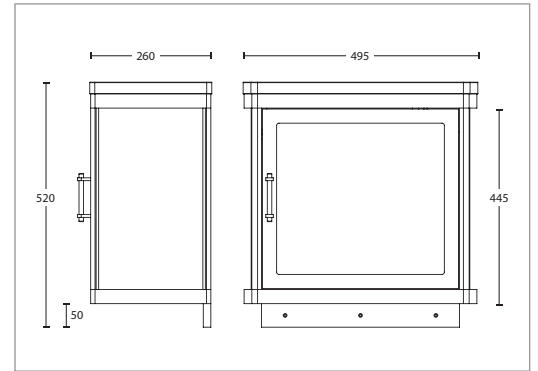
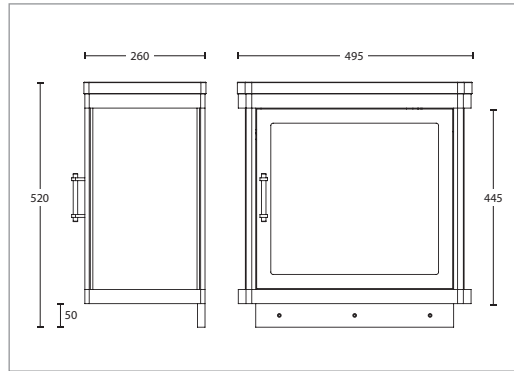
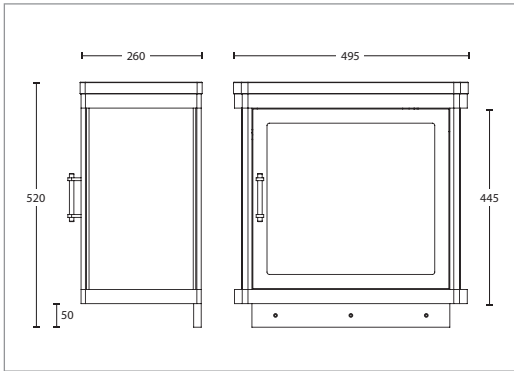
Chrome XO60130100N

Antique Gold XO60130200N

Polished Nickel XO60130300N



SIENNA Cloak Basin Units



Carlyon cloak vanity basin

(1 tap hole)

White

CR1MC11030

Carlyon cloak vanity basin

(1 tap hole)

White

CR1MC11030

Carlyon cloak vanity basin

(1 tap hole)

White

CR1MC11030

Sienna 1 door cloak basin unit

(Left Hand Door Hinge)

Matt Black

XWMC130060

Sienna 1 door cloak basin unit

(Left Hand Door Hinge)

Dartmouth Grey

XWMC130062

Sienna 1 door cloak basin unit

(Left Hand Door Hinge)

Sea Mist

XWMC130064

Sienna 1 door cloak basin unit

(Right Hand Door Hinge)

Matt Black

XWMC130060R

Sienna 1 door cloak basin unit

(Right Hand Door Hinge)

Dartmouth Grey

XWMC130062R

Sienna 1 door cloak basin unit

(Right Hand Door Hinge)

Sea Mist

XWMC130064R

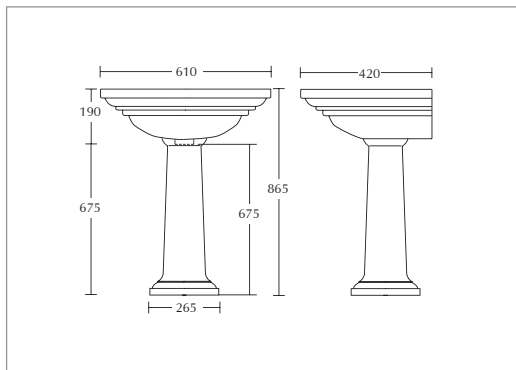
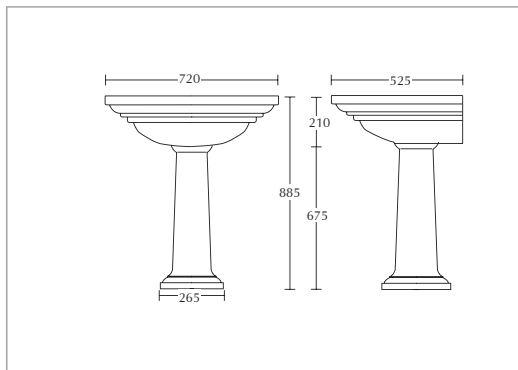
Carlyon Ceramic Ware

The design theme for our Carlyon Collection is set by the authentic look of the Carlyon ceramic ware. Here, the timeless appeal is gently softened by curved corners and neat styling around the basin interior.





CARLYON



A) Large basin - 720mm

(1 tap hole)

White CR1LB11030N

(3 tap hole)

White CR1LB31030N

B) Pedestal

White CR1PE01000

A) Medium basin - 610mm

(1 tap hole)

White CR1MB11030N

(3 tap hole)

White CR1MB31030N

B) Pedestal

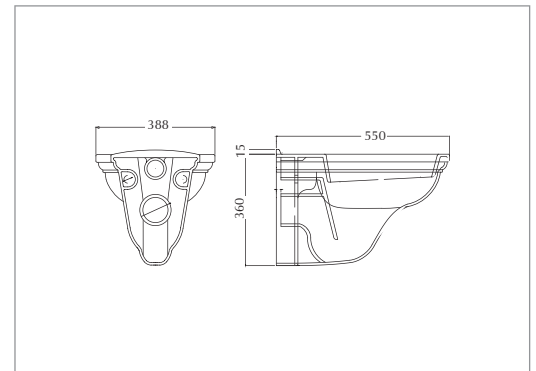
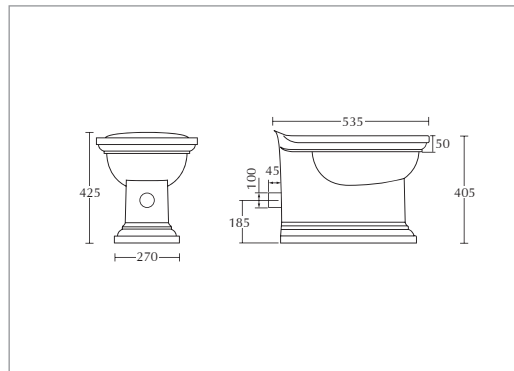
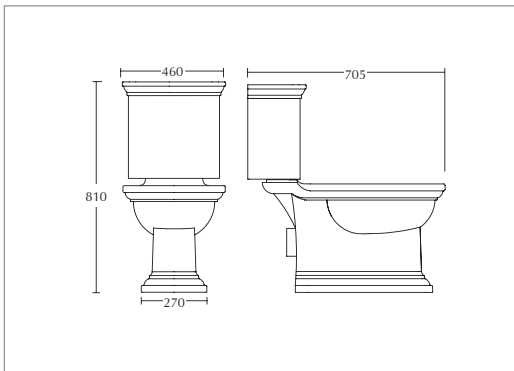
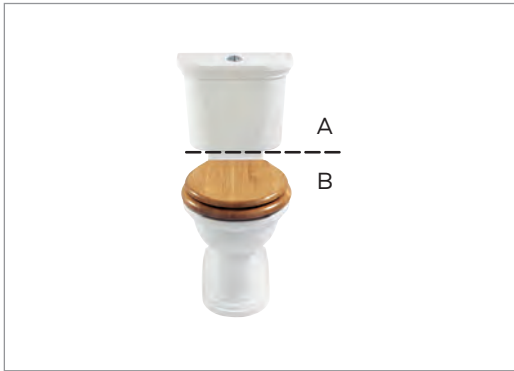
White CR1PE01000



IMPERIAL







A) Close coupled cistern (push button) fittings

Chrome	ZCR3CC1000C
Antique Gold	ZCR3CC1000I
Polished Nickel	ZCR3CC1000N

B) Pan (For use with Windsor seat)

White	CRIWCC1030
-------	------------

Back to wall pan

(supplied without fittings and supporting brackets)
For more information on concealed cisterns please see Ancillaries section.
(For use with Windsor seat)

White	CR1BC01030
-------	------------

Concealed cistern with the extended lever

Extended lever	
White/Chrome	ZXO12E00100
White/Antique Gold	ZXO12E00200
White/Polished Nickel	ZXO12E00300

Concealed cistern & push button

White/Chrome	XC12001100
White/Antique Gold	XC12001200
White/Polished Nickel	XC12001300

Wall-hung pan

(supplied without fittings and supporting brackets)
(For use with Oval seat)

White	CR1WH01030
-------	------------

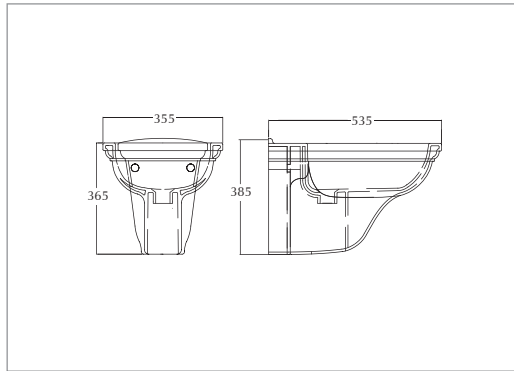
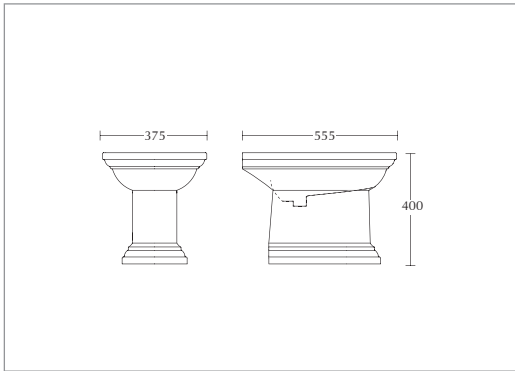
Concealed cistern with the extended lever

Extended lever	
White/Chrome	ZXO12E00100
White/Antique Gold	ZXO12E00200
White/Polished Nickel	ZXO12E00300

Concealed cistern & push button

White/Chrome	XC12001100
White/Antique Gold	XC12001200
White/Polished Nickel	XC12001300





Bidet
(1 tap hole)
White

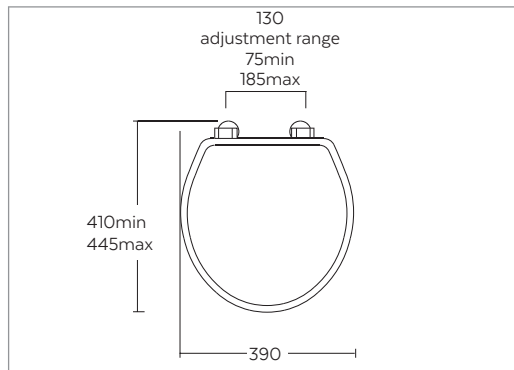
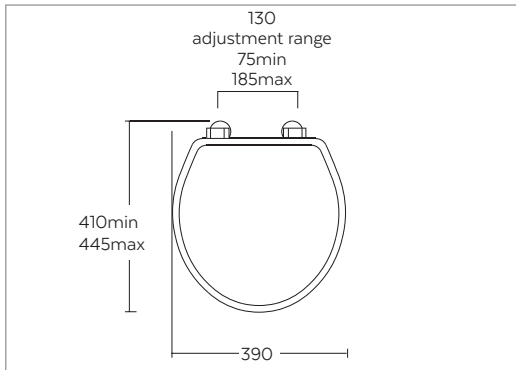
CR1B111030

Wall-hung bidet
(supplied without supporting brackets)
(1 tap hole)
White

CR1BH11030

WINDSOR Toilet Seat Options

SOFT - CLOSE



Windsor solid wood toilet seat - with soft-close hinge

Supplied with seat lid lift handle in the box

Chrome

Natural Oak XT50000120NSB

Antique Gold

Natural Oak XT50000220NSB

Polished Nickel

Natural Oak XT50000320NSB

Windsor painted toilet seat - with soft-close hinge

Supplied without seat lid lift handle

Chrome

White (Smooth) XT50000110NSB

Matt Black Grained XT50000150NSB

Dartmouth Grey (Smooth) XT50000162NSB

Sea Mist (Smooth) XT50000164NSB

Matt Black (Smooth) XT50000160NSB

Antique Gold

White (Smooth) XT50000210NSB

Matt Black Grained XT50000250NSB

Dartmouth Grey (Smooth) XT50000262NSB

Sea Mist (Smooth) XT50000264NSB

Matt Black (Smooth) XT50000260NSB

Polished Nickel

White (Smooth) XT50000310NSB

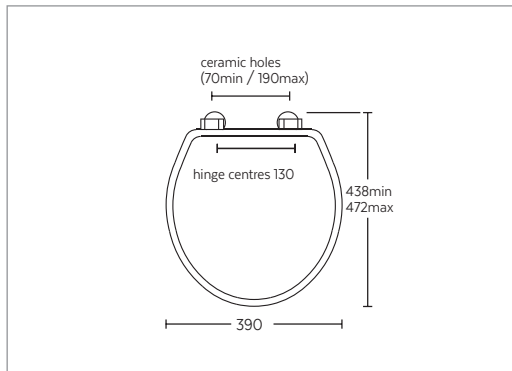
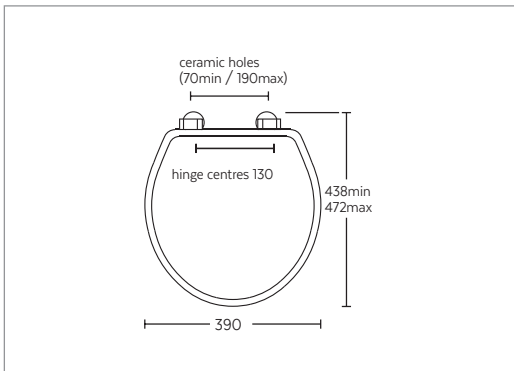
Matt Black Grained XT50000350NSB

Dartmouth Grey (Smooth) XT50000362NSB

Sea Mist (Smooth) XT50000364NSB

Matt Black (Smooth) XT50000360NSB

Note : Smooth seats suitable for the Bay Collection



**Oval solid wood toilet seat -
with soft-close hinge**

Supplied with seat lid lift handle in the box

Chrome

Natural Oak XX50008120NSB

Antique Gold

Natural Oak XX50008220NSB

Polished Nickel

Natural Oak XX50008320NSB

Oval painted toilet seat - with soft-close hinge
Supplied without seat lid lift handle

Chrome

White (Smooth) XX50008110NSB

Matt Black Grained XX50008150NSB

Dartmouth Grey (Smooth) XX50008162NSB

Sea Mist (Smooth) XX50008164NSB

Matt Black (Smooth) XX50008160NSB

Antique Gold

White (Smooth) XX50008210NSB

Matt Black Grained XX50008250NSB

Dartmouth Grey (Smooth) XX50008262NSB

Sea Mist (Smooth) XX50008264NSB

Matt Black (Smooth) XX50008260NSB

Polished Nickel

White (Smooth) XX50008310NSB

Matt Black Grained XX50008350NSB

Dartmouth Grey (Smooth) XX50008362NSB

Sea Mist (Smooth) XX50008364NSB

Matt Black (Smooth) XX50008360NSB

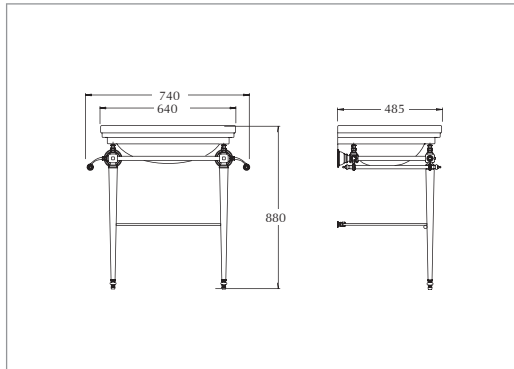
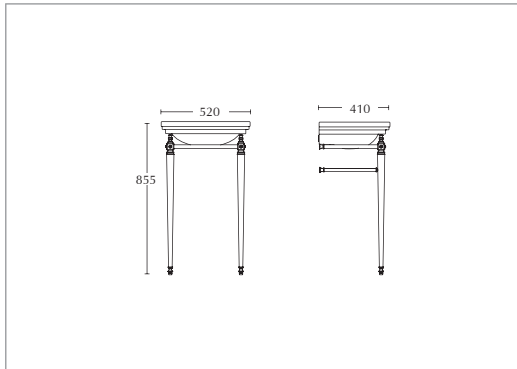
Note : Smooth seats suitable for the Bay Collection



THE ASTORIA DECO COLLECTION

The designers of the 1920s left years of wartime austerity behind them with exuberant new forms and striking colour combinations. Our Astoria Deco Collection is the perfect starting point to create your own personal evocation of the Jazz Age.

ASTORIA DECO Basin Stands



Astoria Deco cloak basin - 520mm

(1 tap hole)

White AD1SB11030

(3 tap hole)

White AD1SB31030

Astoria Deco large basin - 640mm

(1 tap hole)

White AD1LB11030

(3 tap hole)

White AD1LB31030

Astoria Deco cloak basin stand with towel rack

Chrome ZXBS2400100

Antique Gold ZXBS2400200

Polished Nickel ZXBS2400300

Astoria Deco large basin stand

Chrome ZXBS1020100

Antique Gold ZXBS1020200

Polished Nickel ZXBS1020300



“P” trap basin

Chrome	XO60160100
Antique Gold	XO60160200
Polished Nickel	XO60160300



“S” trap basin

Chrome	XO60150100
Antique Gold	XO60150200
Polished Nickel	XO60150300

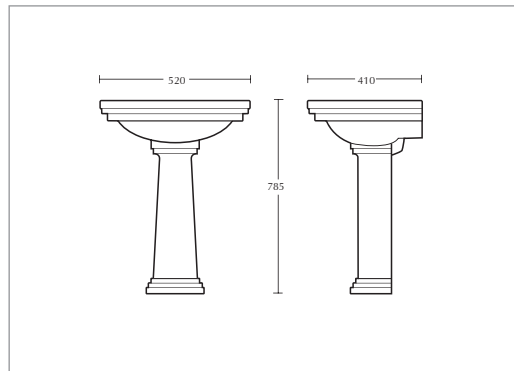
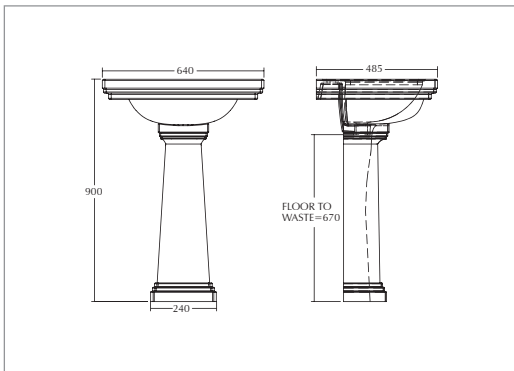
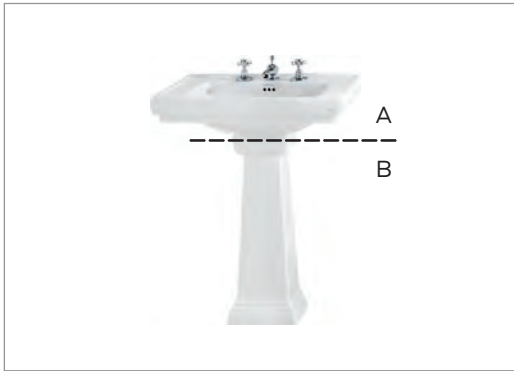


Traditional ¼ basin bottle trap

Chrome	XO60130100N
Antique Gold	XO60130200N
Polished Nickel	XO60130300N







A) Large basin - 640mm

(1 tap hole)

White AD1LB11030

(3 tap hole)

White AD1LB31030

B) Tall pedestal

White AD1PE01000T

A) Small basin - 520mm

(1 tap hole)

White AD1SB11030

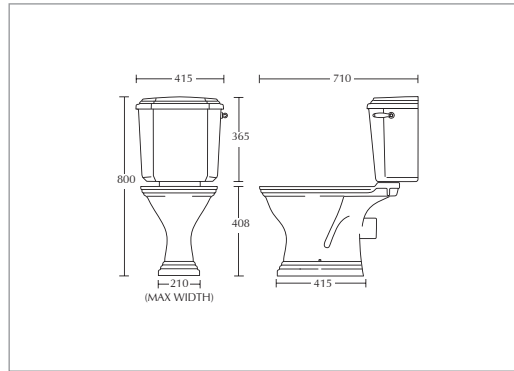
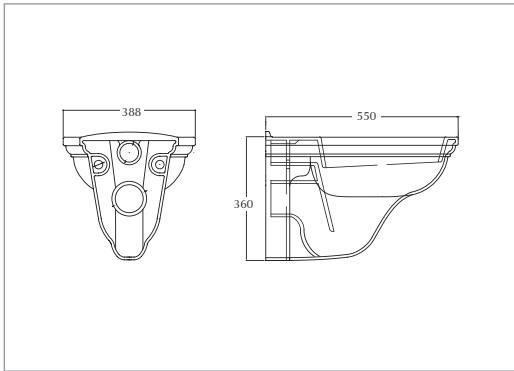
(3 tap hole)

White AD1SB31030

B) Small pedestal

White AD2PE01000





Wall-hung pan

(supplied without fittings and supporting brackets)
(For use with the Oval seat)

White AD1WH01030

Concealed cistern with the extended lever

Extended lever

White/Chrome ZX012E00100

White/Antique Gold ZX012E00200

White/Polished Nickel ZX012E00300

Concealed cistern & push button

White/Chrome XC12001100

White/Antique Gold XC12001200

White/Polished Nickel XC12001300

A) Close coupled cistern

(including all the components)

fittings

White/Chrome ZADCC01000C

White/Antique Gold ZADCC01000I

White/Polished Nickel ZADCC01000N

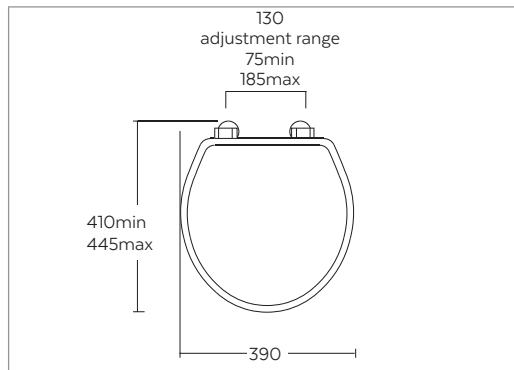
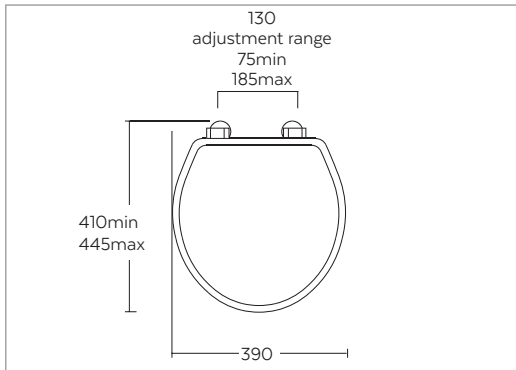
B) Pan P Trap (Horizontal)

(For use with the Oval seat with the standard hinge and Windsor seat when soft-close hinge)

White AD1WC01030

WINDSOR Toilet Seat Options

SOFT - CLOSE



Windsor solid wood toilet seat - with soft-close hinge

Supplied with seat lid lift handle in the box

Chrome

Natural Oak XT50000120NSB

Antique Gold

Natural Oak XT50000220NSB

Polished Nickel

Natural Oak XT50000320NSB

Windsor painted toilet seat - with soft-close hinge

Supplied without seat lid lift handle

Chrome

White (Smooth) XT50000110NSB

Matt Black Grained XT50000150NSB

Dartmouth Grey XT50000152NSB

Sea Mist XT50000154NSB

Antique Gold

White (Smooth) XT50000210NSB

Matt Black Grained XT50000250NSB

Dartmouth Grey XT50000254NSB

Sea Mist XT50000252NSB

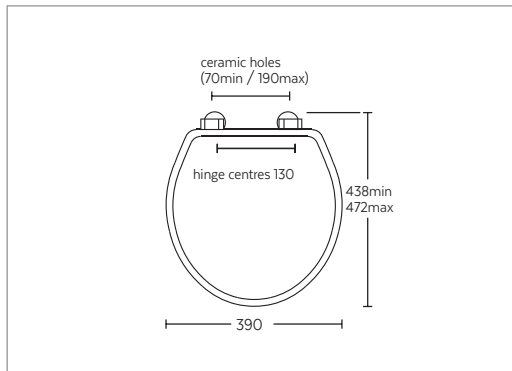
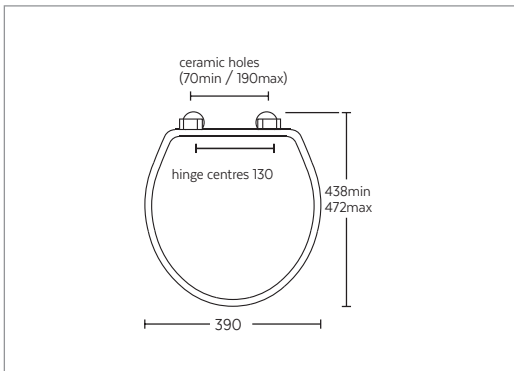
Polished Nickel

White (Smooth) XT50000310NSB

Matt Black Grained XT50000350NSB

Dartmouth Grey XT50000354NSB

Sea Mist XT50000352NSB



**Oval solid wood toilet seat -
with soft-close hinge**

Supplied with seat lid lift handle in the box

Chrome

Natural Oak XX50008120NSB

Antique Gold

Natural Oak XX50008220NSB

Polished Nickel

Natural Oak XX50008320NSB

**Oval painted toilet seat -
with soft-close hinge**

Supplied without seat lid lift handle

Chrome

White (Smooth) XX50008110NSB

Matt Black Grained XX50008150NSB

Antique Gold

White (Smooth) XX50008210NSB

Matt Black Grained XX50008250NSB

Polished Nickel

White (Smooth) XX50008310NSB

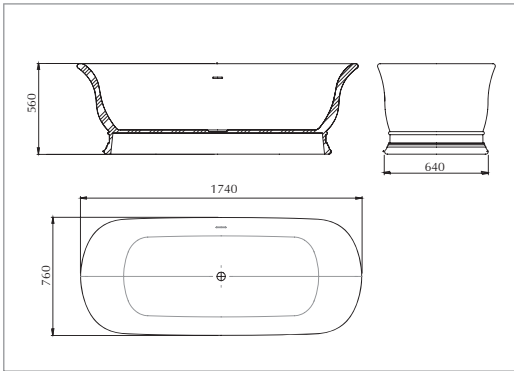
Matt Black Grained XX50008350NSB

THE BATHING COLLECTION

We are delighted to bring you this extensive collection of baths in a wide variety of styles, designs, finishes and options. If your new bathroom deserves a new tub, you are sure to be able to find the perfect solution in the following pages. Invest in an Imperial bath - bathe yourself in luxury!



BATHS



Marlow bath

(Bath supplied as a 0 tap hole but comes with an integrated overflow waste)

(0 tap holes) XN10000410

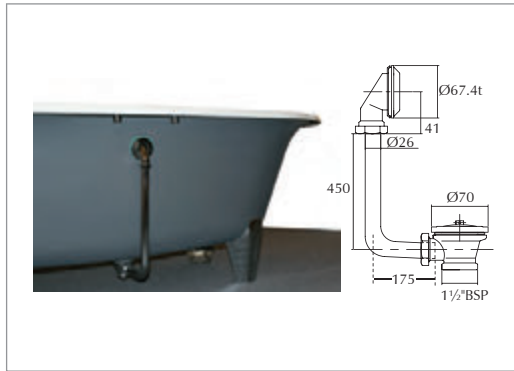
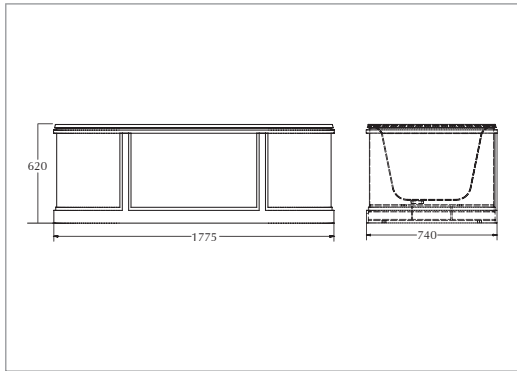
Additional waste options are available:

Windsor bath waste

White	XN10000101
Antique Gold	XN10000200
Polished Nickel	XN10000300



BATHS



King Charles bath*

(0 tap holes)
Grey Primer C1000110

*Manufactured to order

The bath is supplied in grey primer paint all ready for painting

Images shown in price list and catalogue have been painted prior to photography

Exposed bath waste

Chrome XS67000300N
Antique Gold XS67000400N
Polished Nickel XS67000500N

Bath painting service

BATHPAINTING

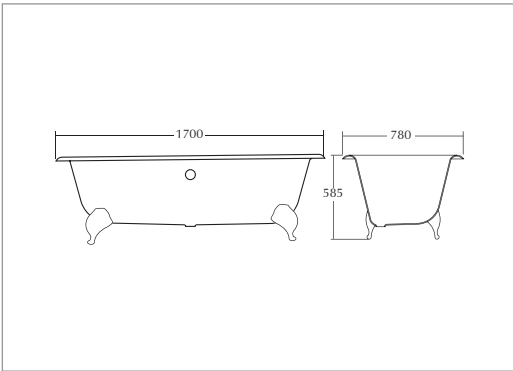






Featuring a white painted Bentley 2 tap bath with Chrome Feet and Edwardian Brassware





Bentley double ended bath

(Supplied with Imperial feet)

(0 tap holes)

Foot colour options

Primed Cast Iron	ZCI000003S
White	ZCI000003W
Chrome	ZCI000003CP
Antique Gold	ZCI000003I

(2 tap holes)

Foot colour options

Primed Cast Iron	ZCI000023S
White	ZCI000023W
Chrome	ZCI000023CP
Antique Gold	ZCI000023I

Foot colour options available:



IMPORTANT: ALL BATHS ARE SUPPLIED WITH A GREY PRIMER AND NOT PAINTED

Foot colour options available:

1. Primed cast iron
2. White
3. Chrome
4. Antique Gold

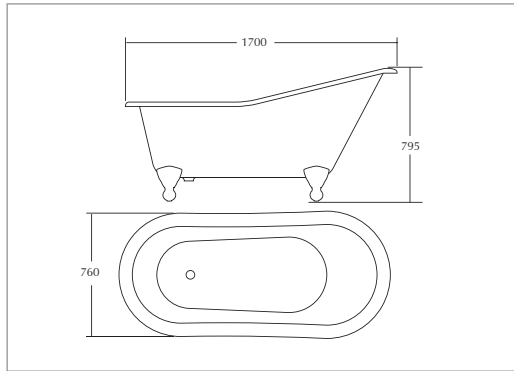
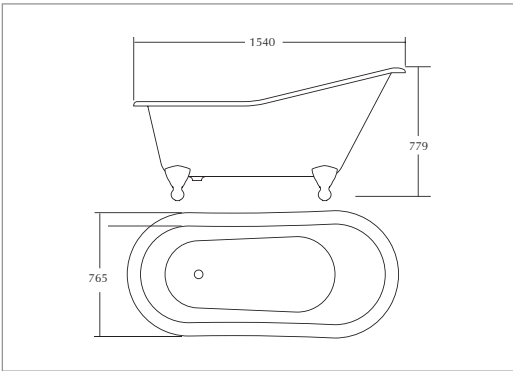
IMPORTANT: Primed cast iron feet are supplied in a grey primer finish. Image shown has been painted with black paint.



Bath painting service

BATHPAINING





Ritz slipper bath - 1700

(Supplied with Imperial feet)

(0 tap holes)

Foot colour options

Primed Cast Iron	ZCI000002S
White	ZCI000002W
Chrome	ZCI000002CP
Antique Gold	ZCI000002I

(2 tap holes)

Foot colour options

Primed Cast Iron	ZCI000022S
White	ZCI000022W
Chrome	ZCI000022CP
Antique Gold	ZCI000022I

Ritz slipper bath - 1540

(Supplied with Imperial feet)

(0 tap holes)

Foot colour options

Primed Cast Iron	ZCI000102S
White	ZCI000102W
Chrome	ZCI000102CP
Antique Gold	ZCI000102I

(2 tap holes)

Foot colour options

Primed Cast Iron	ZCI000122S
White	ZCI000122W
Chrome	ZCI000122CP
Antique Gold	ZCI000122I

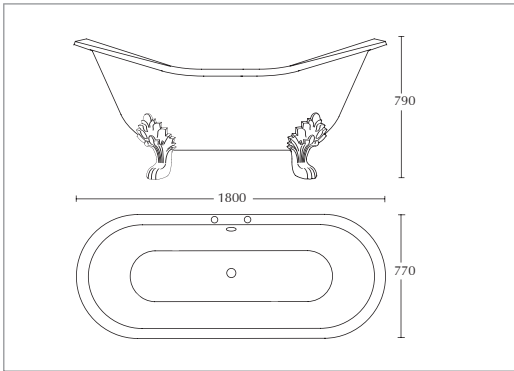
IMPORTANT: ALL BATHS ARE SUPPLIED WITH A GREY PRIMER AND NOT PAINTED

Foot colour options available:

1. Primed cast iron
2. White
3. Chrome
4. Antique Gold

IMPORTANT: Primed cast iron feet are supplied in a grey primer finish. Image shown has been painted with black paint.

BATHS



Sheraton double ended slipper bath

(Supplied with Lion foot)

(0 tap holes)

Foot colour options

Primed Cast Iron	ZCI000004S
White	ZCI000004W
Chrome	ZCI000004CP
Antique Gold	ZCI000004I

(2 tap holes)

Foot colour options

Primed Cast Iron	ZCI000024S
White	ZCI000024W
Chrome	ZCI000024CP
Antique Gold	ZCI000024I

Foot colour options available:



IMPORTANT: ALL BATHS ARE SUPPLIED WITH A GREY PRIMER AND NOT PAINTED

Foot colour options available:

1. Primed cast iron
2. White
3. Chrome
4. Antique Gold

IMPORTANT: Primed cast iron feet are supplied in a grey primer finish. Image shown has been painted with black paint.

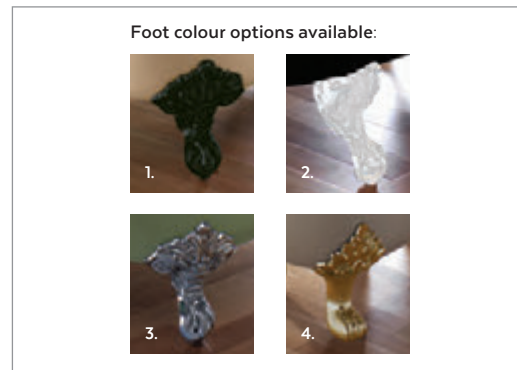
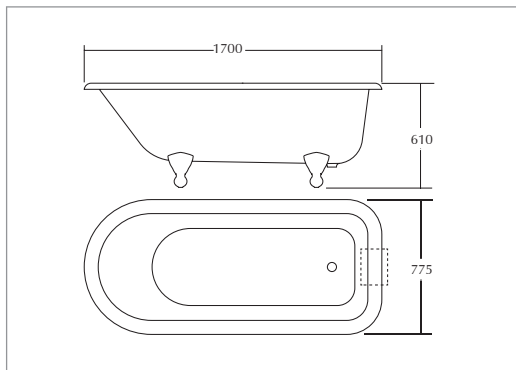
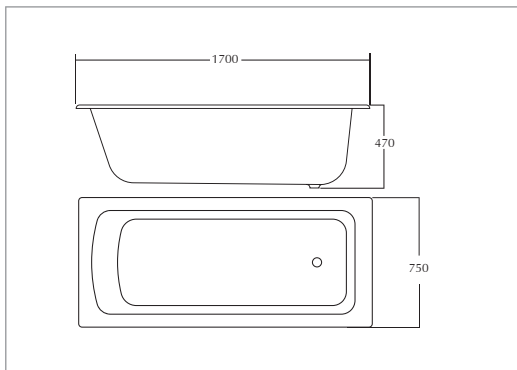


Bath painting service

BATHPAINTING



BATHS



Harrington single ended cast iron bath

(Supplied without bath panels)

(0 tap holes) ZCI000010

(2 tap holes) ZCI000110

Waldorf single ended bath

(Supplied with Ball & Claw feet)

(0 tap holes)

Foot colour options

Primed Cast Iron	ZCI000001S
White	ZCI000001W
Chrome	ZCI000001CP
Antique Gold	ZCI000001I

(2 tap holes)

Foot colour options

Primed Cast Iron	ZCI000021S
White	ZCI000021W
Chrome	ZCI000021CP
Antique Gold	ZCI000021I

IMPORTANT: ALL BATHS ARE SUPPLIED WITH A GREY PRIMER AND NOT PAINTED

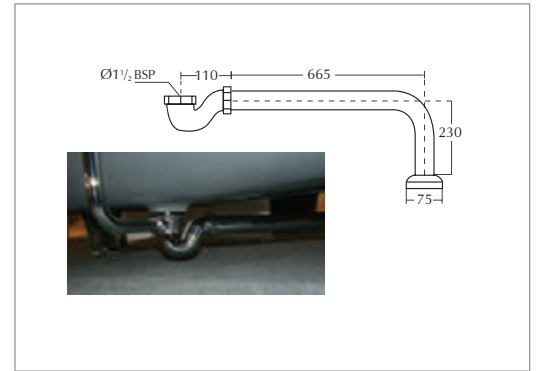
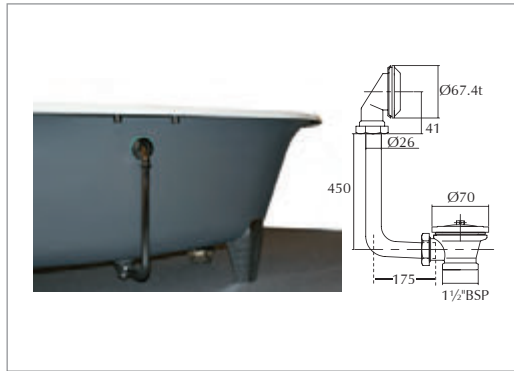
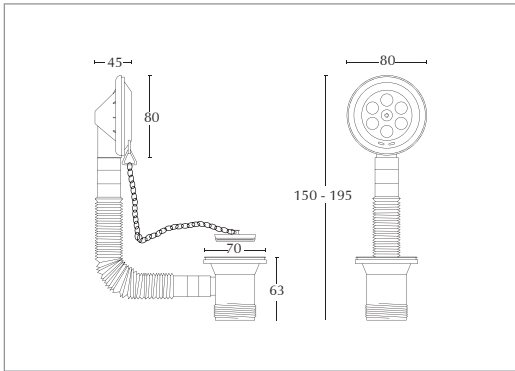
Foot colour options available:

1. Primed cast iron
2. White
3. Chrome
4. Antique Gold

IMPORTANT: Primed cast iron feet are supplied in a grey primer finish. Image shown has been painted with black paint.







Tidy plug standard bath waste with plug and chain

For use with acrylic baths and Harrington bath

Chrome	XO60140100N
Antique Gold	XO60140200N
Polished Nickel	XO60140300N

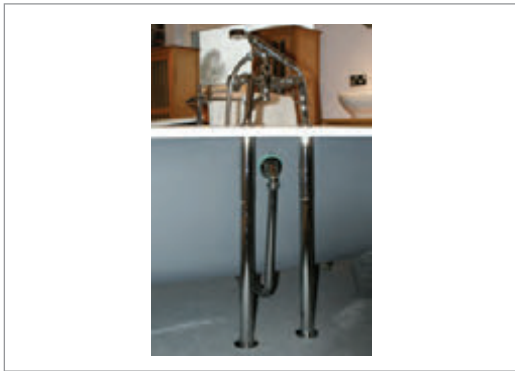
Exposed bath waste

Chrome	XS67000300N
Antique Gold	XS67000400N
Polished Nickel	XS67000500N

Roll top S trap low seal

Chrome	XS68000100
Antique Gold	XS68000200
Polished Nickel	XS68000300

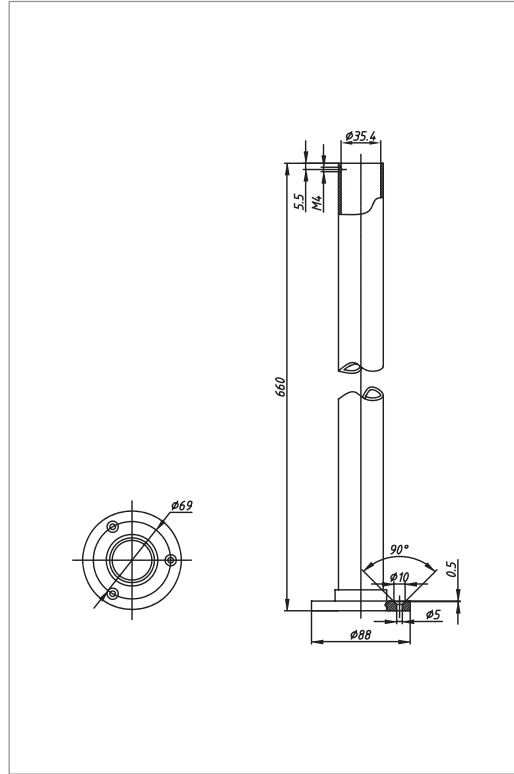




Roll-top bath shroud

(For use when taps are mounted on the top of the Bath - Hiding water pipes)

Chrome	XS68000600
Antique Gold	XS68000500
Polished Nickel	XS68000400



Traditional stand pipes

NB: Traditional stand pipes for use with the following brassware: Victorian, Edwardian, Lichfield, Regent, Radcliffe

Chrome	ZXS68000700
Antique Gold	ZXS68000800
Polished Nickel	ZXS68000900



IMPERIAL

THE BRASSWARE COLLECTION

Gleaming Chrome, Polished Nickel
or lustrous Antique Gold finish?
Contemporary or unashamedly classical?
Your choice of brassware will help you
to stamp your own individual personality
on your fabulous new bathroom.

Radcliffe

118

Lichfield

122

Edwardian

126

Regent

130

Victorian

134

RADCLIFFE COLLECTION



White Ceramic Lever

Black Ceramic Lever



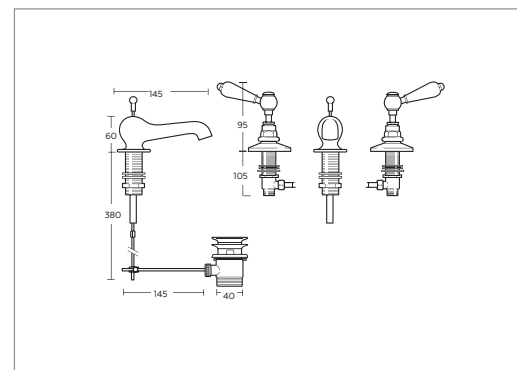
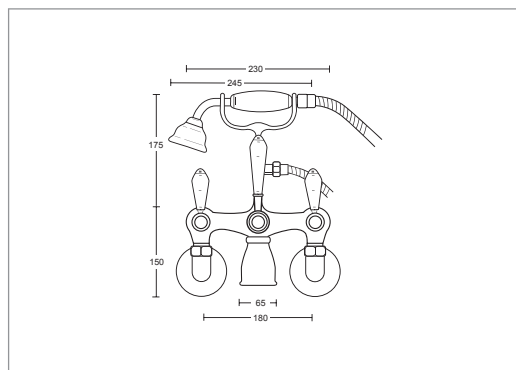
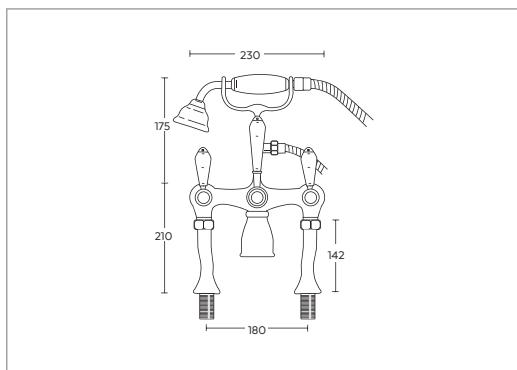
White Ceramic Lever

Black Ceramic Lever



White Ceramic Lever

Black Ceramic Lever



Bath shower mixer, deck mounted

(This bath shower mixer has 180 centres)

White Ceramic Lever

(finishes available with white ceramic levers)

Chrome	RADBSMDMWCP
Antique Gold	RADBSMDMWAG
Polished Nickel	RADBSMDMWPN

Black Ceramic Lever

(finishes available with black ceramic levers)

Chrome	RADBSMDMBCP
Antique Gold	RADBSMDMBAG
Polished Nickel	RADBSMDMBPN

Bath shower mixer, wall mounted

(This bath shower mixer has 180 centres)

White Ceramic Lever

(finishes available with white ceramic levers)

Chrome	RADBSMWMWCP
Antique Gold	RADBSMWMWAG
Polished Nickel	RADBSMWMWPN

Black Ceramic Lever

(finishes available with black ceramic levers)

Chrome	RADBSMWMBCP
Antique Gold	RADBSMWMBAG
Polished Nickel	RADBSMWMBPN

3 hole basin mixer

(complete with pop up wastes)

White Ceramic Lever

(finishes available with white ceramic levers)

Chrome	RAD3BMWCP
Antique Gold	RAD3BMWAG
Polished Nickel	RAD3BMWPN

Black Ceramic Lever

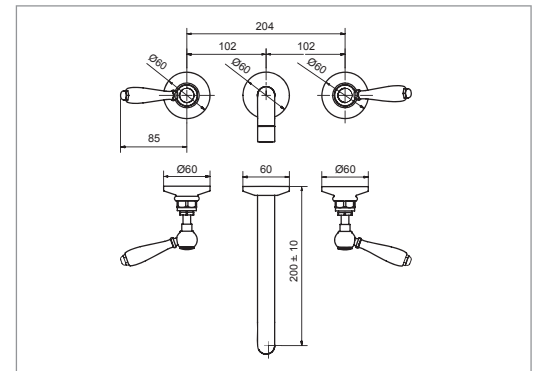
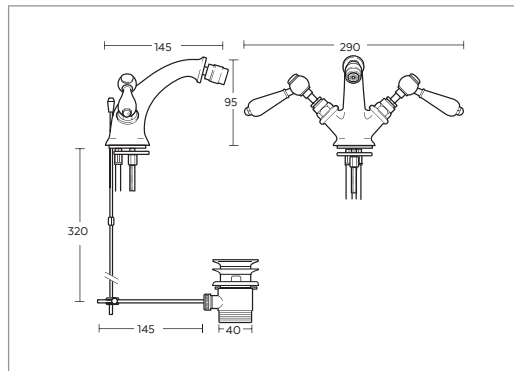
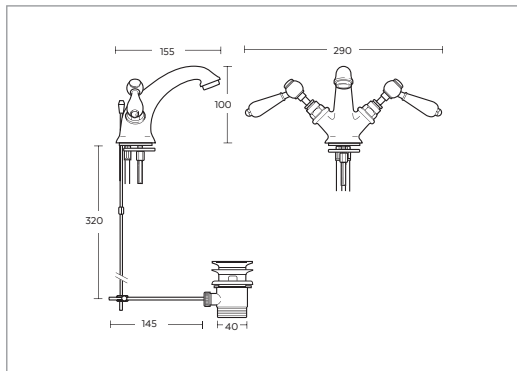
(finishes available with black ceramic levers)

Chrome	RAD3BMBCP
Antique Gold	RAD3BMBAG
Polished Nickel	RAD3BMBPN



IMPERIAL

RADCLIFFE COLLECTION



Monobloc basin mixer

(complete with pop up waste)

White Ceramic Lever

(finishes available with white ceramic levers)

Chrome	RADBMWCP
Antique Gold	RADBMWAG
Polished Nickel	RADBMWPN

Black Ceramic Lever

(finishes available with black ceramic levers)

Chrome	RADBMBCP
Antique Gold	RADBMBAG
Polished Nickel	RADMBBPN

Monobloc bidet mixer

(complete with pop up waste)

White Ceramic Lever

(finishes available with white ceramic levers)

Chrome	RADBIWCP
Antique Gold	RADBIWAG
Polished Nickel	RADBIWPN

Black Ceramic Lever

(finishes available with black ceramic levers)

Chrome	RADBIBCP
Antique Gold	RADBIBAG
Polished Nickel	RADBIBPN

3 hole wall mixer

White Ceramic Lever

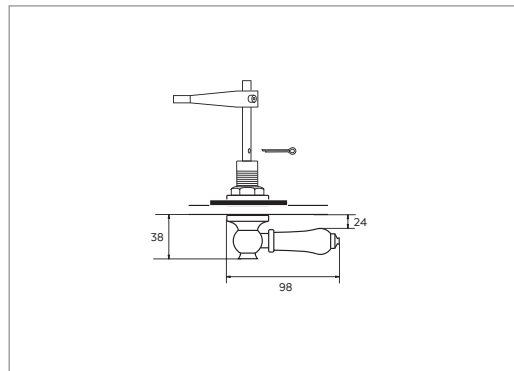
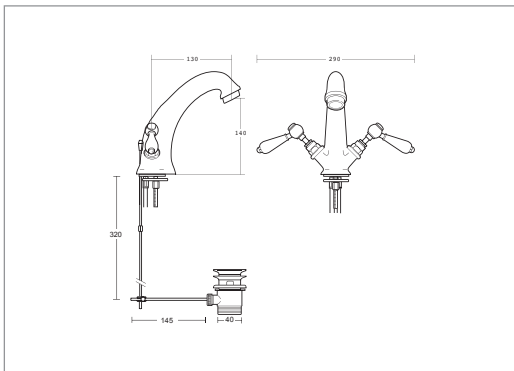
(finishes available with white ceramic levers)

Chrome	RAD3WBMWCP
Antique Gold	RAD3WBMWAG
Polished Nickel	RAD3WBMWPN

Black Ceramic Lever

(finishes available with black ceramic levers)

Chrome	RAD3WBMBCP
Antique Gold	RAD3WBMBAG
Polished Nickel	RAD3WBMBPN



Tall mono basin mixer

(complete with pop up waste)

White Ceramic Lever

(finishes available with white ceramic levers)

Chrome	RADTBMWCP
Antique Gold	RADTBMWAG
Polished Nickel	RADTBMWPN

Black Ceramic Lever

(finishes available with black ceramic levers)

Chrome	RADTBMBCP
Antique Gold	RADTBM BAG
Polished Nickel	RADTBM BPN

Ceramic cistern lever

White Ceramic Lever

(finishes available with white ceramic levers)

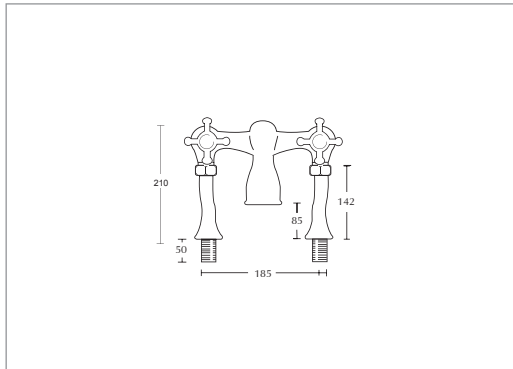
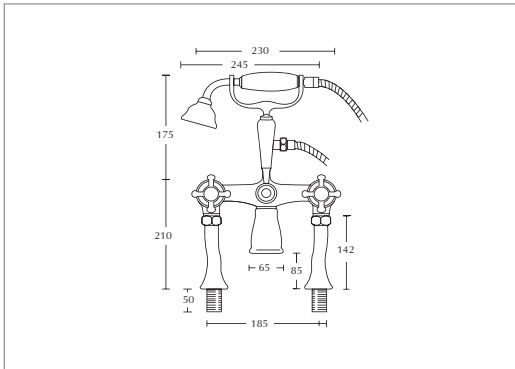
Chrome	XO12000100
Antique Gold	XO12000200
Polished Nickel	XO12000300

Black Ceramic Lever

(finishes available with black ceramic levers)

Chrome	XO12000140
Antique Gold	XO12000240
Polished Nickel	XO12000340





Bath shower mixer, deck mounted
(This bath shower mixer has 180 centres)

Bath filler, deck mounted
(This bath filler has 180 centres)

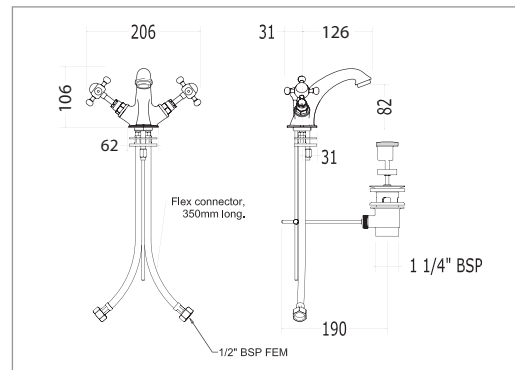
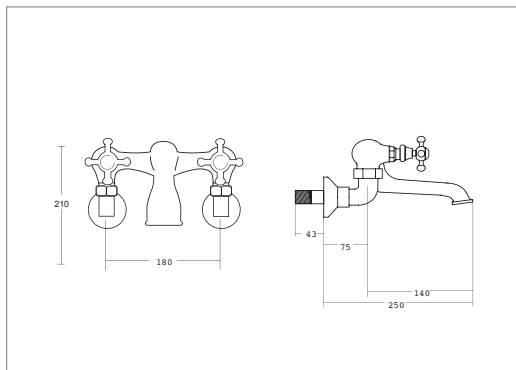
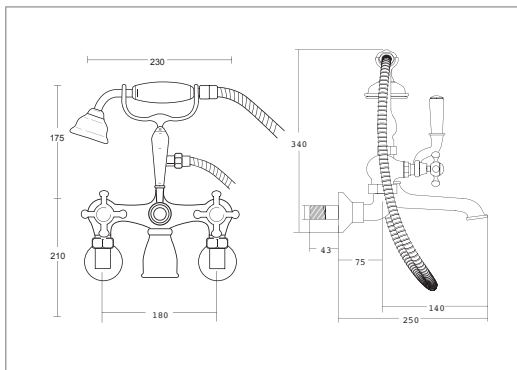
Free Standing Bath shower Mixer
(complete with Stand pipes)

White Cross Handle
(finishes available with white cross handles)
Chrome ZLICBSMDMCP

White Cross Handle
(finishes available with white cross handles)
Chrome ZLICDMBFILLCP

White Cross Handle
(finishes available with white cross handles)
Chrome ZLICBSMFSCP

LICHFIELD COLLECTION



Bath shower mixer, wall mounted
(This bath shower mixer has 180 centres)

Bath filler, wall mounted
(This bath filler has 180 centres)

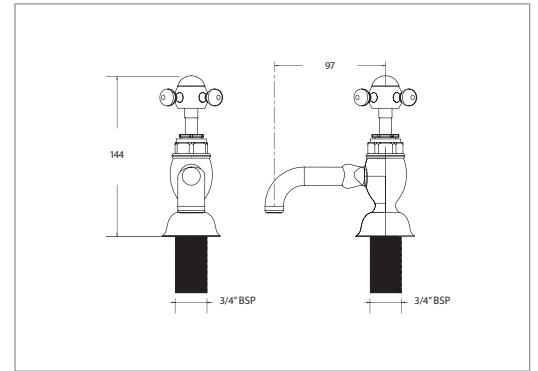
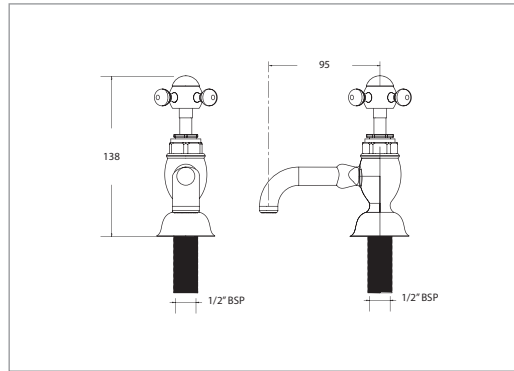
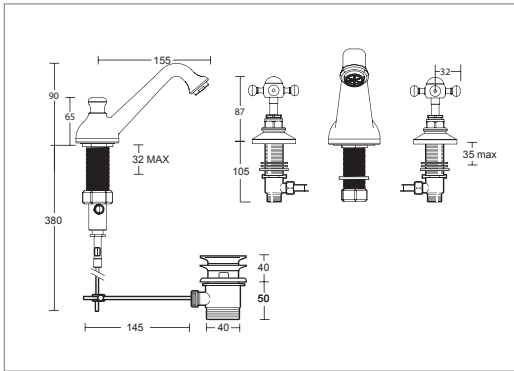
Monobloc basin mixer
(complete with pop up waste)

White Cross Handle
(finishes available with white cross handles)
Chrome ZLICBSMWMCP

White Cross Handle
(finishes available with white cross handles)
Chrome ZLICWMFILLCP

White Cross Handle
(finishes available with white cross handles)
Chrome ZLICBMCP

LICHFIELD COLLECTION



3 hole basin mixer
(complete with pop up wastes)

White Cross Handle
(finishes available with white cross handles)
Chrome ZLIC3BMCP

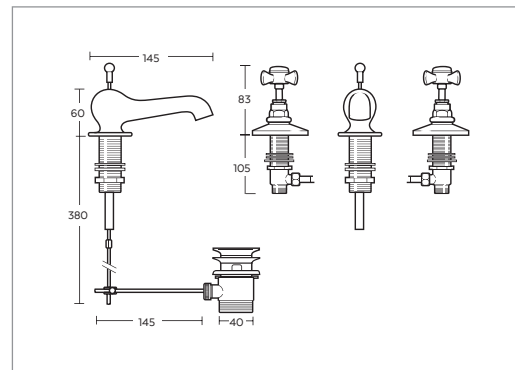
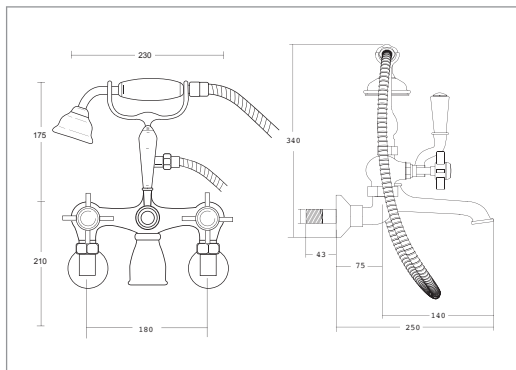
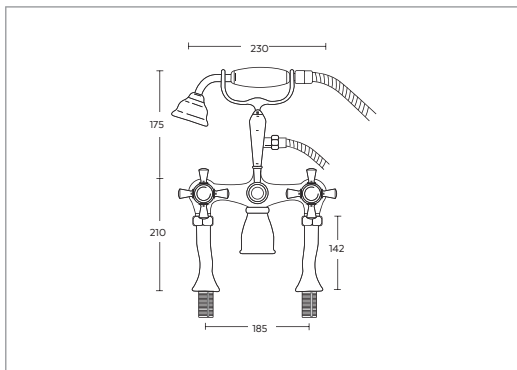
1/2" basin pillar taps

White Cross Handle
(finishes available with white cross handles)
Chrome ZLICBASINTAPSCP

3/4" bath pillar taps

White Cross Handle
(finishes available with white cross handles)
Chrome ZLICBATHTAPSCP

EDWARDIAN COLLECTION



Bath shower mixer, deck mounted
(This bath shower mixer has 180 centres)

Bath shower mixer, wall mounted
(This bath shower mixer has 180 centres)

3 hole basin mixer
(complete with pop up wastes)

White Cross Handle

(finishes available with white cross handles)

Chrome	EDWBSMDMWCP
Antique Gold	EDWBSMDMWAG
Polished Nickel	EDWBSMDMWPN

White Cross Handle

(finishes available with white cross handles)

Chrome	EDWBSMWMWCP
Antique Gold	EDWBSMWMWAG
Polished Nickel	EDWBSMWMWPN

White Cross Handle

(finishes available with white cross handles)

Chrome	EDW3BMWCP
Antique Gold	EDW3BMWAG
Polished Nickel	EDW3BMWPN

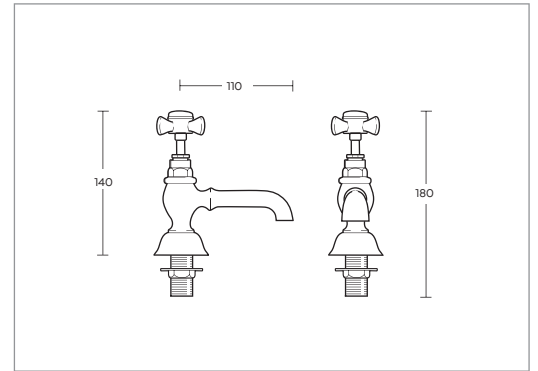
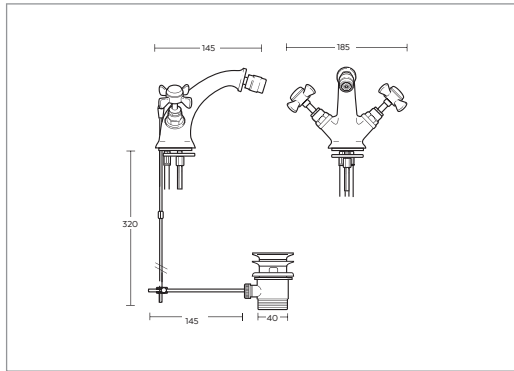
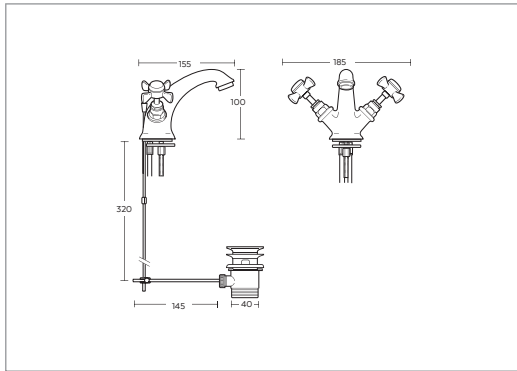


IMPERIAL
COLD
BATHROOMS

5804585

IMPERIAL

EDWARDIAN COLLECTION



Monobloc basin mixer

(complete with pop up waste)

White Cross Handle

(finishes available with white cross handles)

Chrome	EDWBMWCP
Antique Gold	EDWBMWAG
Polished Nickel	EDWBMWPN

Monobloc bidet mixer

(complete with pop up waste)

White Cross Handle

(finishes available with white cross handles)

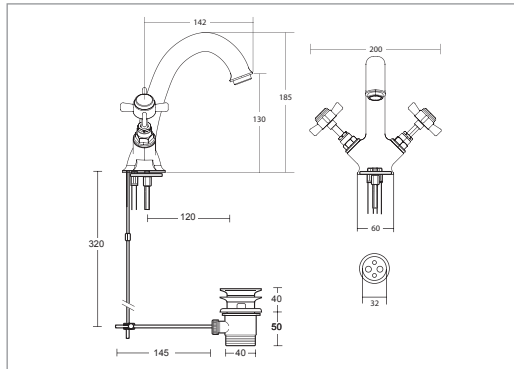
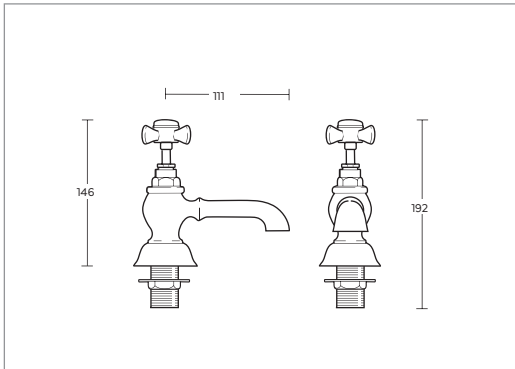
Chrome	EDWBIWCP
Antique Gold	EDWBIWAG
Polished Nickel	EDWBIWPN

1/2" basin pillar taps

White Cross Handle

(finishes available with white cross handles)

Chrome	EDWBASINTAPSWCP
Antique Gold	EDWBASINTAPSWAG
Polished Nickel	EDWBASINTAPSWPN



3/4" bath pillar taps

White Cross Handle

(finishes available with white cross handles)

Chrome	EDWBATHTAPSWCP
Antique Gold	EDWBATHTAPSWAG
Polished Nickel	EDWBATHTAPSWPN

Tall mono basin mixer

(complete with pop up waste)

White Cross Handle

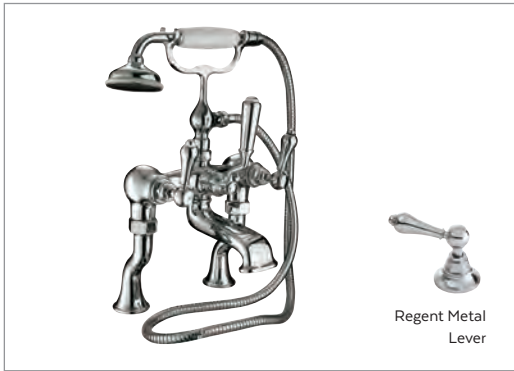
(finishes available with white cross handles)

Chrome	EDWTBMWCP
Antique Gold	EDWTBMWAG
Polished Nickel	EDWTBMWPN



IMPERIAL

REGENT COLLECTION



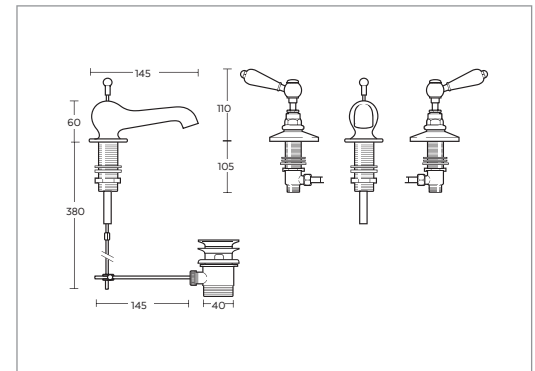
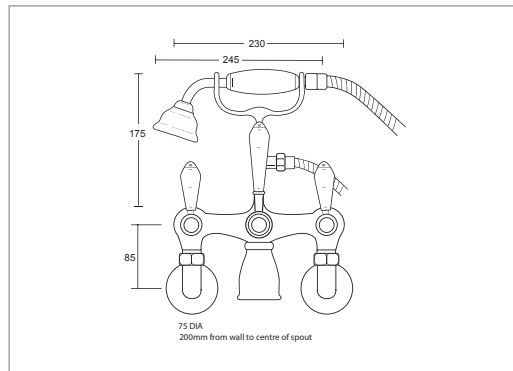
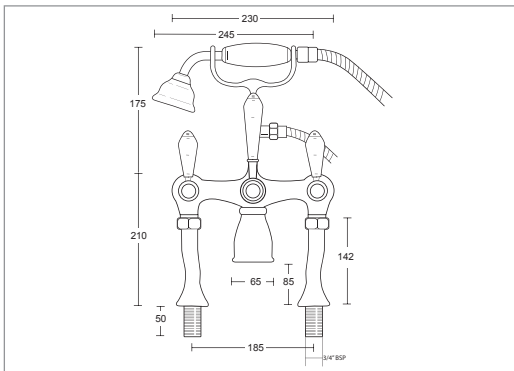
Regent Metal
Lever



Regent Metal
Lever



Regent Metal
Lever



Bath shower mixer, deck mounted

(This bath shower mixer has 180 centres)

Regent Metal Lever

(finishes available with Regent metal levers)

Chrome	REGBSMDMMCP
Antique Gold	REGBSMDMMAG
Polished Nickel	REGBSMDMMPN

Bath shower mixer, wall mounted

(This bath shower mixer has 180 centres)

Regent Metal Lever

(finishes available with Regent metal levers)

Chrome	REGBSMWM MCP
Antique Gold	REGBSMWM MAG
Polished Nickel	REGBSMWM MPN

3 hole basin mixer

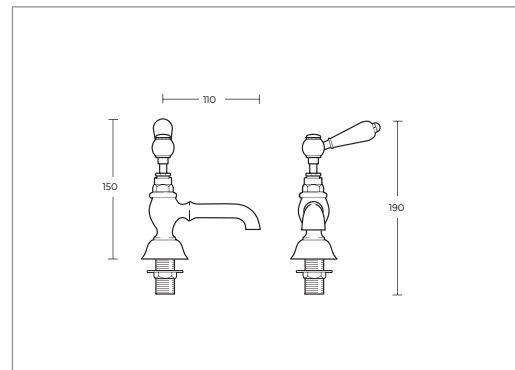
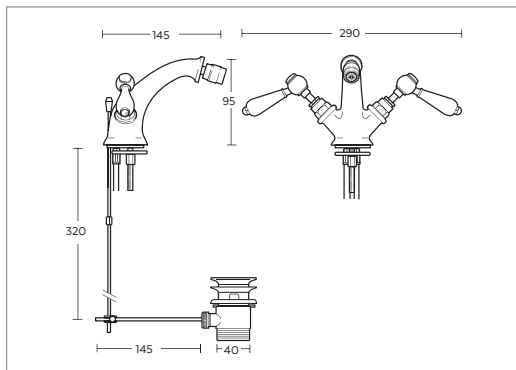
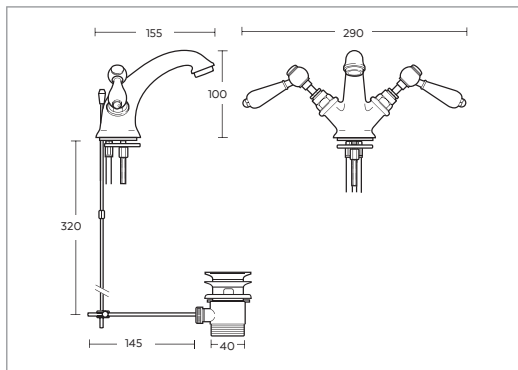
(complete with pop up wastes)

Regent Metal Lever

(finishes available with Regent metal levers)

Chrome	REG3BMMCP
Antique Gold	REG3BMMAG
Polished Nickel	REG3BMMPN

REGENT COLLECTION



Monobloc basin mixer

(complete with pop up waste)

Regent Metal Lever

(finishes available with Regent metal levers)

Chrome	REGBMMCP
Antique Gold	REGBMMAG
Polished Nickel	REGBMMPN

Monobloc bidet mixer

(complete with pop up waste)

Regent Metal Lever

(finishes available with Regent metal levers)

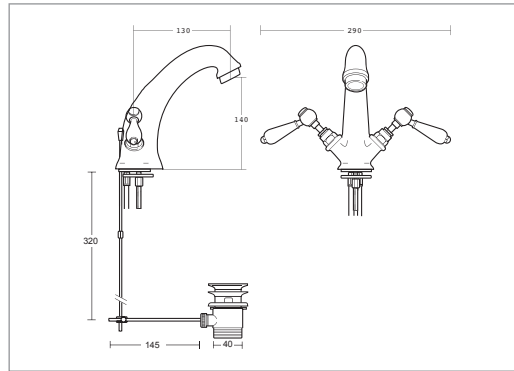
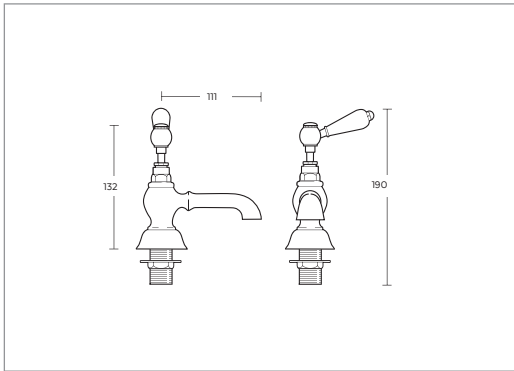
Chrome	REGBIMCP
Antique Gold	REGBIMAG
Polished Nickel	REGBIMPN

1/2" basin pillar taps

Regent Metal Lever

(finishes available with Regent metal levers)

Chrome	REGBASINTAPSMCP
Antique Gold	REGBASINTAPSMAG
Polished Nickel	REGBASINTAPSPMPN



3/4" bath pillar taps

Regent Metal Lever

(finishes available with Regent metal levers)

Chrome	REGBATHTAPSMCP
Antique Gold	REGBATHTAPSMAG
Polished Nickel	REGBATHTAPSPNP

Tall mono basin mixer

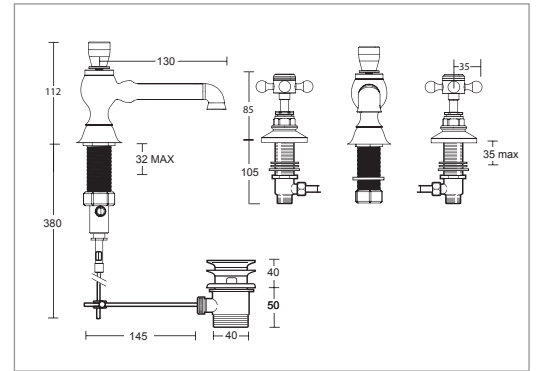
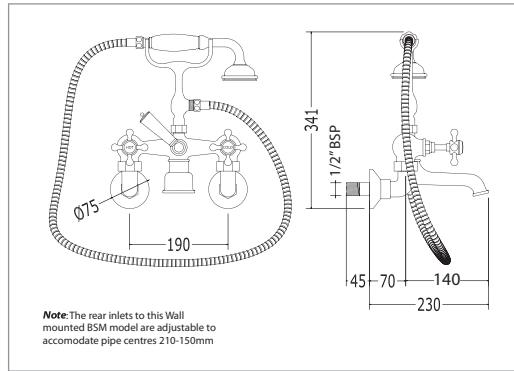
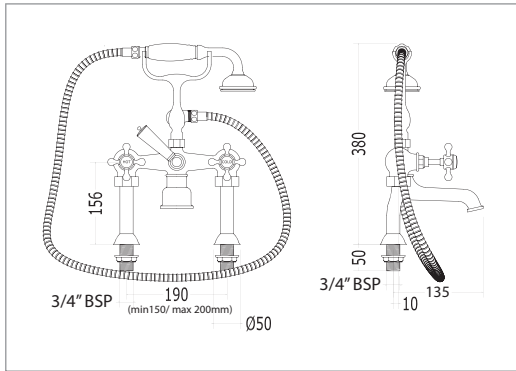
(complete with pop up waste)

Regent Metal Lever

(finishes available with Regent metal levers)

Chrome	REGTBM MCP
Antique Gold	REGTBM MAG
Polished Nickel	REGTBM PNP

VICTORIAN COLLECTION



3/4" bath shower mixer, deck mounted

Complete with shower kit
(This bath shower mixer has 180 centres)

Chrome	VICBSMDMCP
Antique Gold	VICBSMDMAG
Polished Nickel	VICBSMDMPN

3/4" bath shower mixer, wall mounted

Complete with shower kit
(This bath shower mixer has 180 centres)

Chrome	VICBSMWMCP
Antique Gold	VICBSMWMAG
Polished Nickel	VICBSMWMPN

3 hole extended basin mixer 135mm

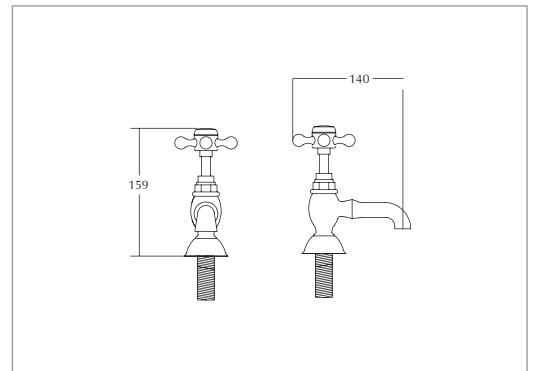
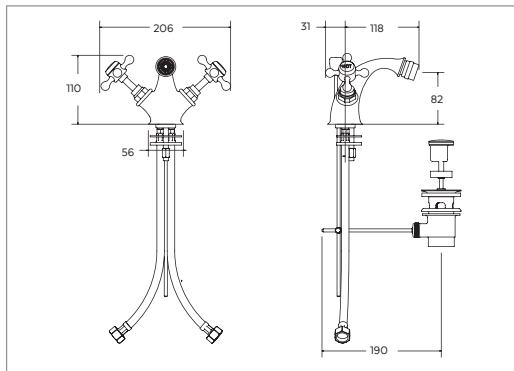
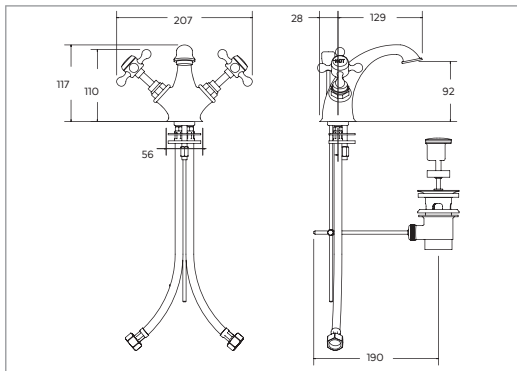
(complete with pop up wastes)

Chrome	VIC3BMCP
Antique Gold	VIC3BMAG
Polished Nickel	VIC3BMPN



IMPERIAL

VICTORIAN COLLECTION



1/2" monobloc basin mixer

(complete with pop up waste)

Chrome	VICBMCP
Antique Gold	VICBMAG
Polished Nickel	VICBMPN

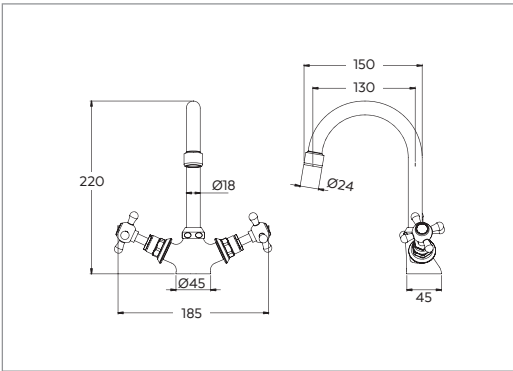
1/2" monobloc bidet mixer

(complete with pop up waste)

Chrome	VICBICP
Antique Gold	VICBIAG
Polished Nickel	VICBIPN

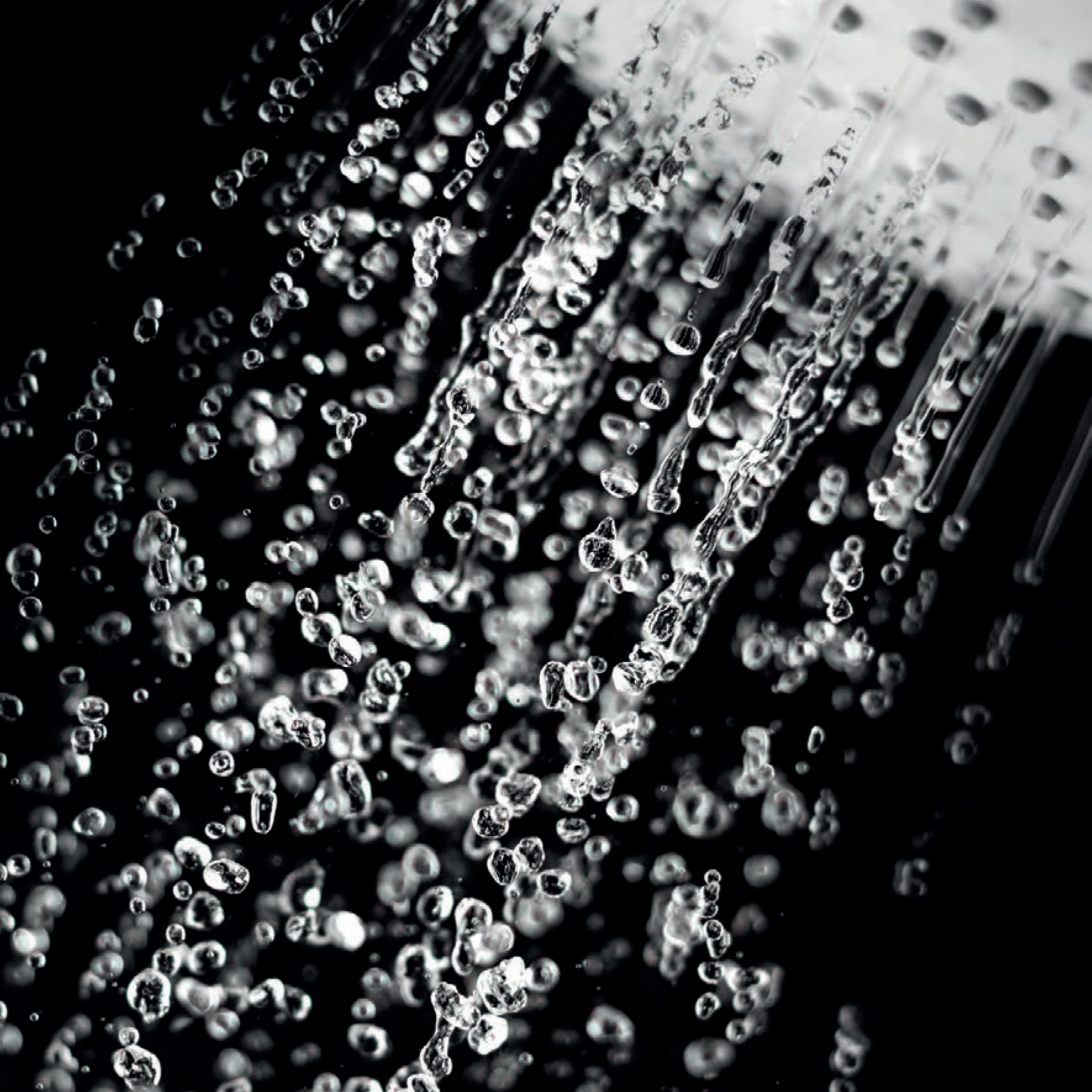
3/4" bath pillar taps

Chrome	VICBATHTAPSCP
Antique Gold	VICBATHTAPSAG
Polished Nickel	VICBATHTAPSPN



Victorian cloak vanity monobloc basin mixer
(for use with cloak vanity basin)

Chrome	VICCBMCP
Antique Gold	VICCBMAG
Polished Nickel	VICCBMPN



THE SHOWERING COLLECTION

Imperial prides itself in supplying products of high performance and quality design.

Our shower valves and accessories are no exception to this, combining style with outstanding functionality to ensure a luxurious showering experience.

Westminster Collection

140

Lichfield Collection

144

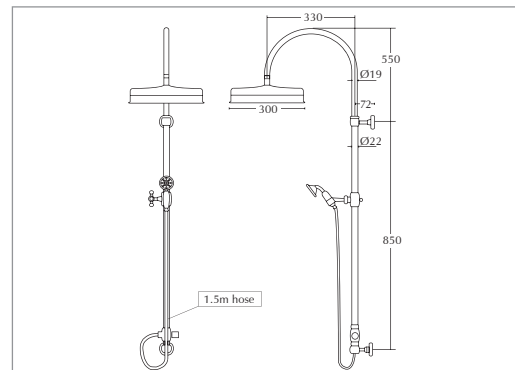
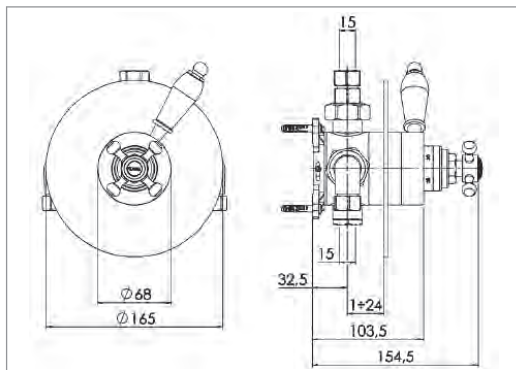
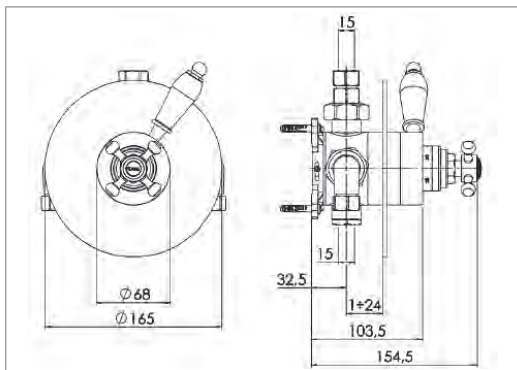
Cambridge Collection

148

Victorian Collection

154

WESTMINSTER COLLECTION



Concealed Westminster thermostatic control valve
(White controls)

SINGLE WATER OUTLET

Chrome	XM86200100
Antique Gold	XM86200200

Concealed Westminster thermostatic control valve
(Black controls)

SINGLE WATER OUTLET

Chrome	ZXM82900120
Antique Gold	ZXM82900220

Edwardian rigid riser - traditional dart head*
(White handset)

For use with the concealed shower valve

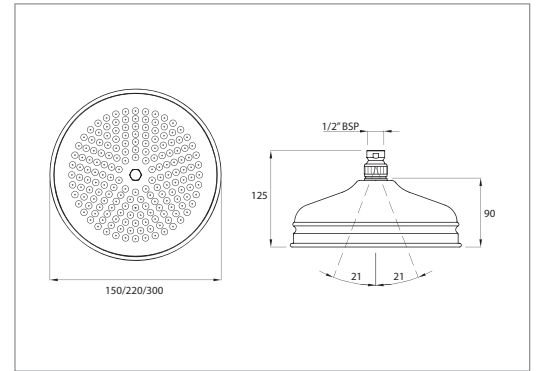
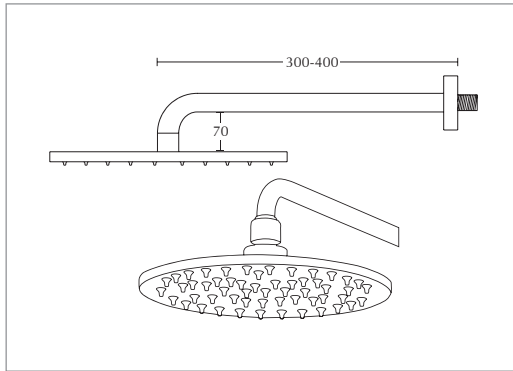
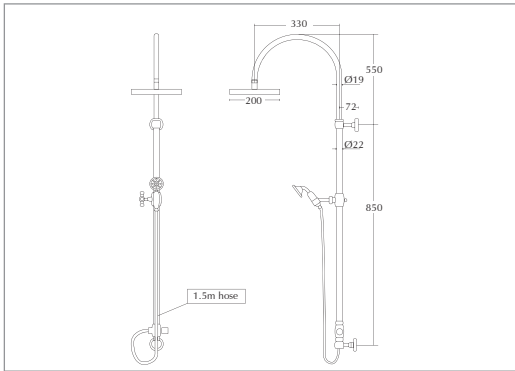
150mm
Chrome ZXM87100100
Antique Gold ZXM87100200

220mm
Chrome ZXM87200100
Antique Gold ZXM87200200

(Optional extra shower handset in Black)

Extra
Chrome XM84500100
Antique Gold XM84500200

WESTMINSTER COLLECTION



Edwardian rigid riser - slim Amena shower head*

(White handset)

For use with the concealed shower valve

200mm

Chrome ZXM87500100

Antique Gold ZXM87500200

(Optional extra shower handset in Black)

Extra

Chrome XM84500100

Antique Gold XM84500200

Amena Wall mounted slim rose head

(Supplied with wall round fixed arm)

200mm

Chrome

ZXM84100100

Dart traditional wall mounted rose head

(Supplied with wall round fixed arm)

150mm

Chrome

ZXM84600100

Antique Gold

ZXM84600200

220mm

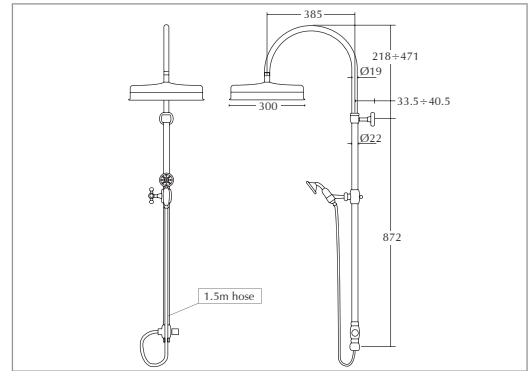
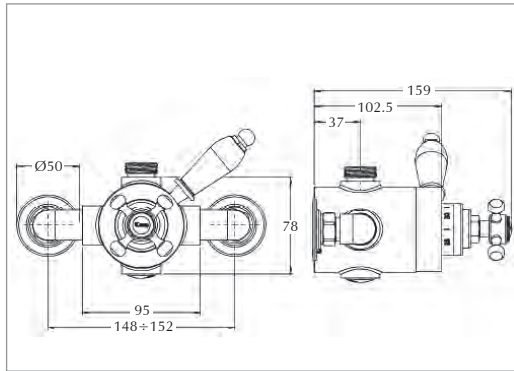
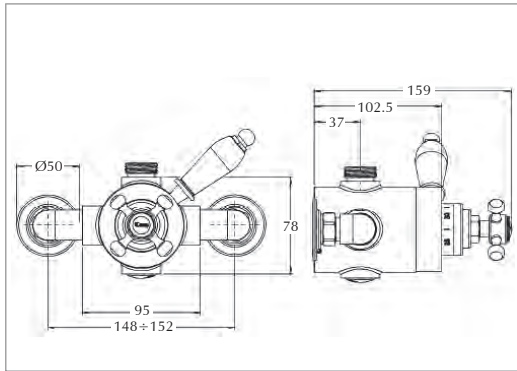
Chrome

ZXM84700100

Antique Gold

ZXM84700200

WESTMINSTER COLLECTION



Exposed Westminster thermostatic control valve
(White controls)

SINGLE WATER OUTLET

Price for valve only

Chrome	ZXM82200100
Antique Gold	ZXM82200200

Exposed Westminster thermostatic control valve
(Black controls)

SINGLE WATER OUTLET

Price for valve only

Chrome	ZXM82300100
Antique Gold	ZXM82300200

Westminster rigid riser - traditional dart head*
(White handset)

For use with Westminster exposed shower valve. Please note this is not compatible with the Victorian shower valve

150mm

Chrome	ZXM87700100
Antique Gold	ZXM87700200

220mm

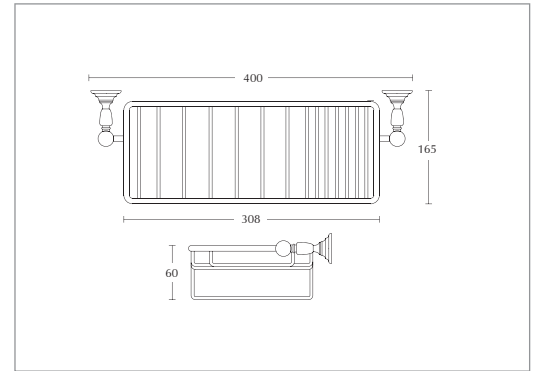
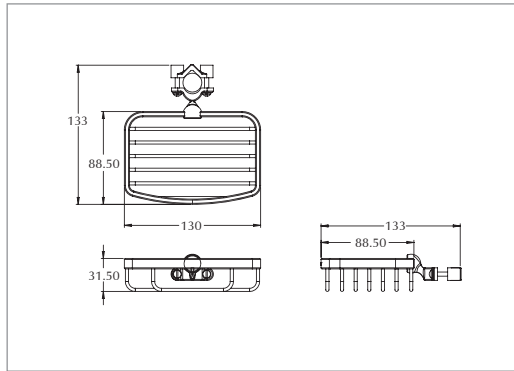
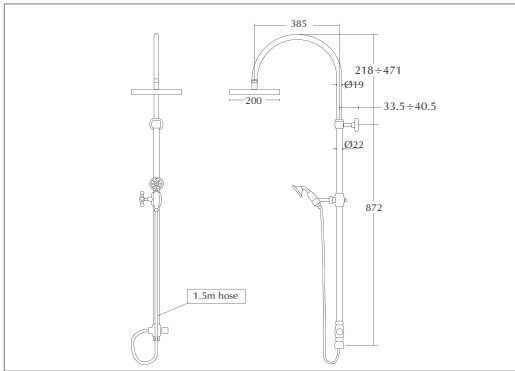
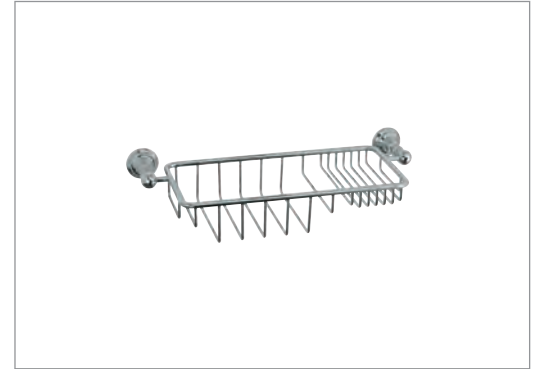
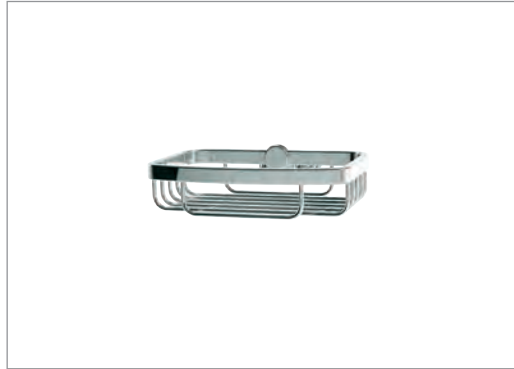
Chrome	ZXM87800100
--------	-------------

(Optional extra shower handset in Black)

Extra

Chrome	XM84500100
Antique Gold	XM84500200

WESTMINSTER COLLECTION



Westminster rigid riser - slim Amena shower head*

(White handset)

For use with Westminster exposed shower valve. Please note this is not compatible with the Victorian shower valve

200mm

Chrome XZM88100100

(Optional extra shower handset in Black)

Extra

Chrome XM84500100

Antique Gold XM84500200

Victorian shower tidy soap rack

(For use with Victorian and Westminster rigid riser kits)

Chrome XS62800100N

Antique Gold XS62800200N

Richmond shower tidy wall mounted

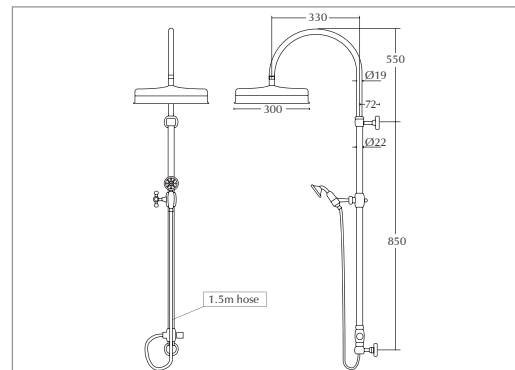
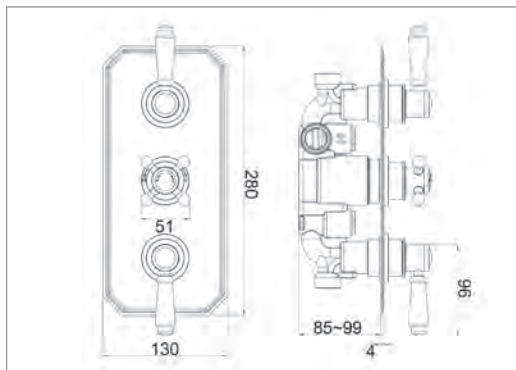
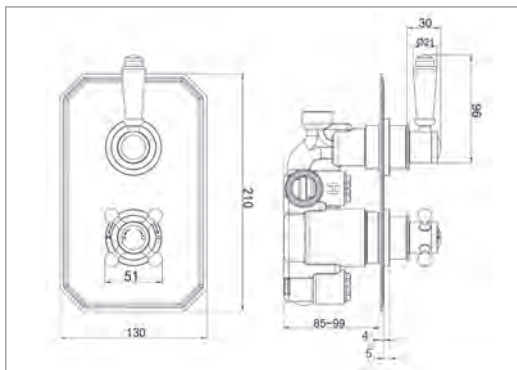
(For use with Victorian rigid riser kits)

Chrome XCL0700100

Antique Gold XCL0700200

*For use with the Westminster Exposed Valve

LICHFIELD COLLECTION



Concealed Lichfield thermostatic control valve
(White controls)

SINGLE WATER OUTLET

Chrome ZLICCON1WCP

Concealed Lichfield thermostatic dual control valve
(White controls)

TWIN WATER OUTLET

Chrome ZLICCON2WCP

Lichfield outlet elbow

Chrome LICWELBCP

Lichfield traditional shower handset

Chrome LICHSETWCP

Lichfield 150mm shower hose

Chrome LICHOSECP

Edwardian rigid riser - traditional dart head*
(White handset)

For use with the concealed shower valve

150mm

Chrome ZXM87100100

220mm

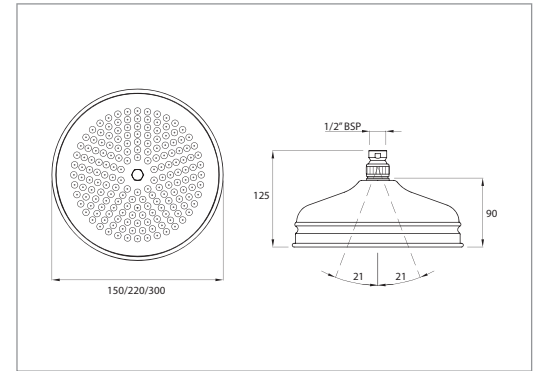
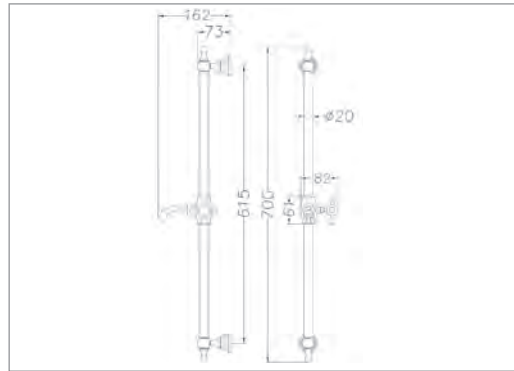
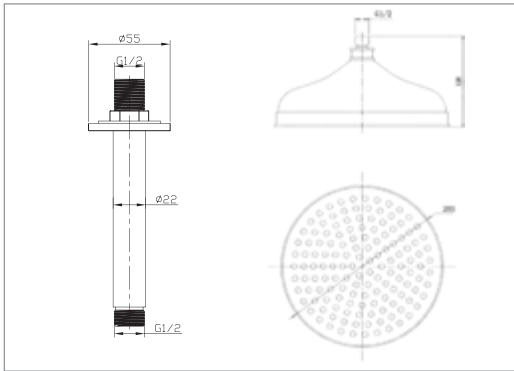
Chrome ZXM87200100

(Optional extra shower handset in Black)

Extra

Chrome XM84500100

LICHFIELD COLLECTION



Lichfield traditional Shower Head 200mm
(supplied without the Ceiling arm)

Chrome LICROSE200CP

Lichfield 120mm Round Ceiling arm
Chrome LICCARM120CP

Lichfield 250mm Round Ceiling arm
Chrome LICCARM250CP

Lichfield 360mm Round Ceiling arm
Chrome LICCARM360CP

Lichfield Shower Rail kit, handset and hose

Chrome LICSLIDERCP

Please Note: You will need to add an outlet elbow when using in conjunction with a concealed valve.

Lichfield outlet elbow

Chrome LICWELBCP

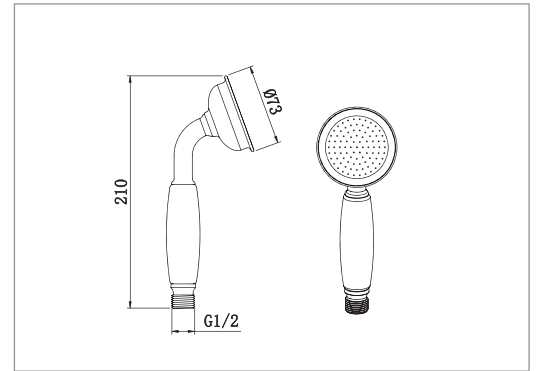
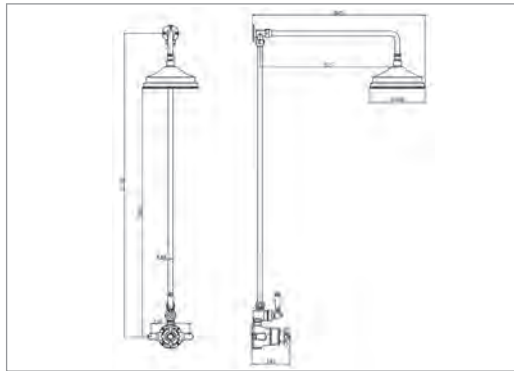
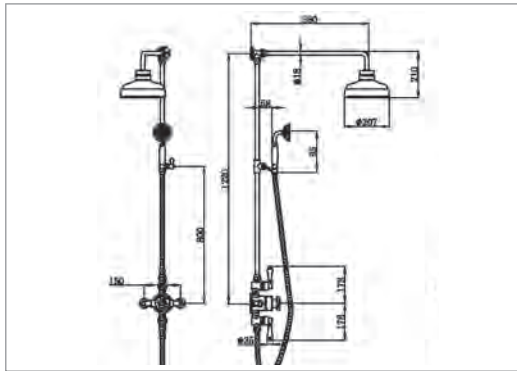
Lichfield traditional Shower Head 200mm
(supplied without the round wall arm)

Chrome LICROSE200CP

300mm round wall arm
Chrome LICWARM300CP

380mm round wall arm
Chrome LICWARM380CP

LICHFIELD COLLECTION



Exposed Lichfield thermostatic control valve with handset and riser kit (dual outlet)

(White controls)

Price includes the Valve and riser kit with a 200 Dart Rose

Chrome ZLICEXP2W200CP

Exposed Lichfield thermostatic control valve and riser kit (single outlet)

(White controls)

Price includes the Valve and riser kit with a 200 Dart Rose

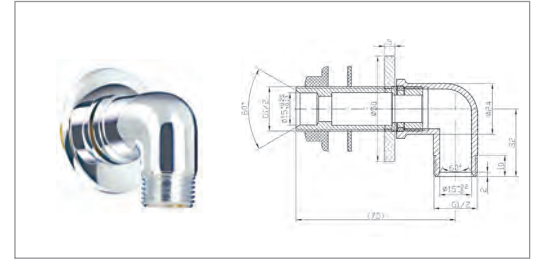
Chrome ZLICEXP1W200CP

Lichfield traditional shower handset

Chrome

LICHSETWCP

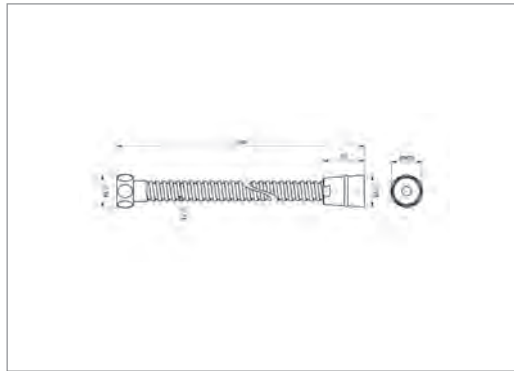
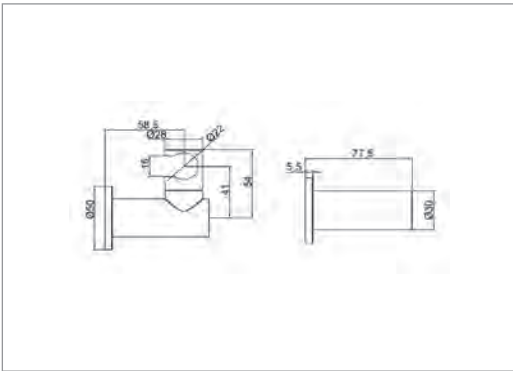
LICHFIELD COLLECTION



Lichfield outlet elbow

Chrome

LICWELBCP



Lichfield shower Handset wall bracket

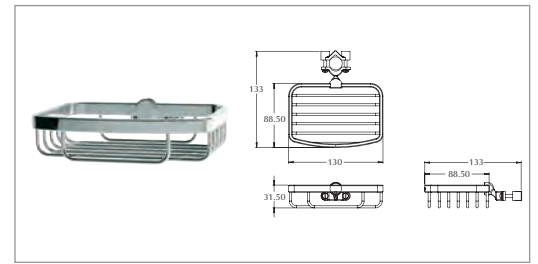
Lichfield 150mm shower hose

Chrome

LICHSHLDRCP

Chrome

LICHHOSECP

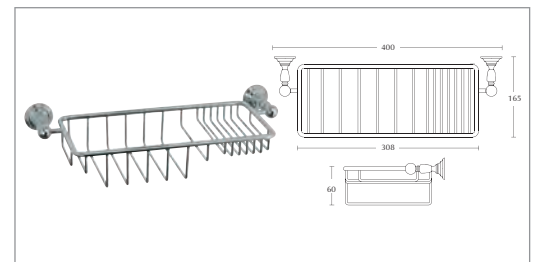


Victorian shower tidy soap rack

(For use with Victorian and Westminster rigid riser kits)

Chrome

XS62800100N



Richmond shower tidy wall mounted

(For use with Victorian rigid riser kits)

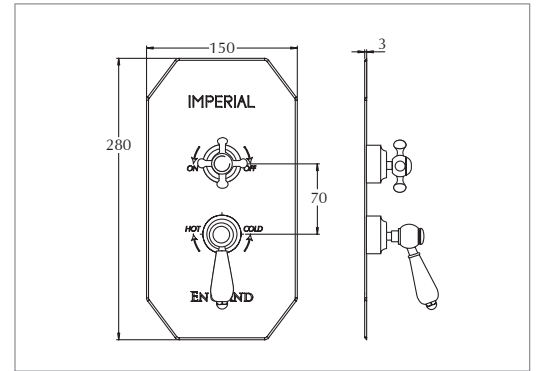
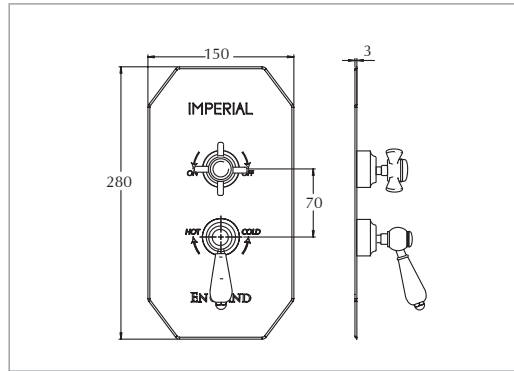
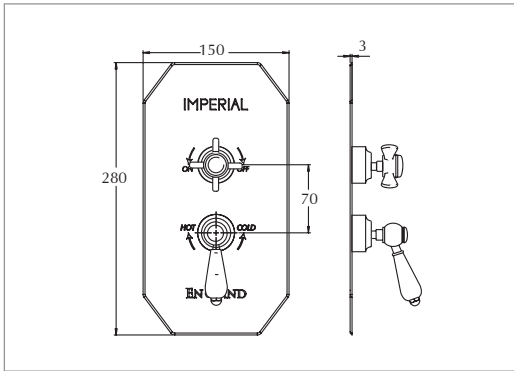
Chrome

XCL0700100

IMPERIAL



CAMBRIDGE SHOWER COLLECTION



Concealed Cambridge thermostatic dual control valve

(Edwardian chrome and Regent chrome lever controls)

Single Outlet

Chrome	ZXM80600100
Antique Gold	ZXM80600200
Polished Nickel	ZXM80600300

Two way Outlet

Chrome	ZXM81400100
Antique Gold	ZXM81400200
Polished Nickel	ZXM81400300

Concealed Cambridge thermostatic dual control valve

(Edwardian Black and Radcliffe Black lever controls)

Single Outlet

Chrome	ZXM86400100
Antique Gold	ZXM86400200
Polished Nickel	ZXM86400300

Two way Outlet

Chrome	ZXM86400102W
Antique Gold	ZXM86400202W
Polished Nickel	ZXM86400302W

Concealed Cambridge thermostatic dual control valve

(Victorian white and Radcliffe white lever controls)

Single Outlet

Chrome	ZXM86200100
Antique Gold	ZXM86200200
Polished Nickel	ZXM86200300

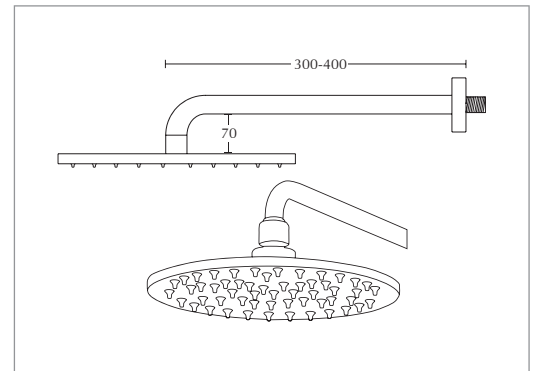
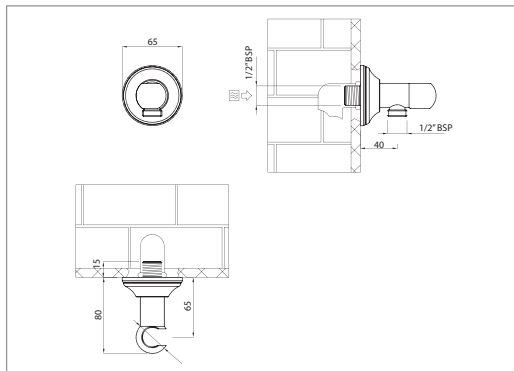
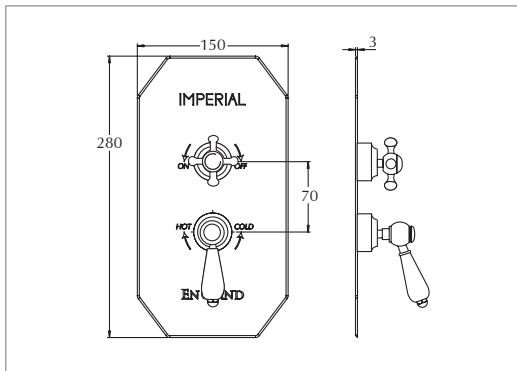
Two way Outlet

Chrome	ZXM86200102W
Antique Gold	ZXM86200202W
Polished Nickel	ZXM86200302W

Please refer to the www.imperialtechspec.com website for the thermostatic valve body dimensions

For further technical information go to: www.imperialtechspec.com; Technical drawings are subject to change and therefore they are for guideline purpose only.

CAMBRIDGE SHOWER COLLECTION



Concealed Cambridge thermostatic dual control valve

(Victorian Black and Radcliffe Black lever controls)

Single Outlet

Chrome	ZXM86600100
Antique Gold	ZXM86600200
Polished Nickel	ZXM86600300

Two way Outlet

Chrome	ZXM86600102W
Antique Gold	ZXM86600202W
Polished Nickel	ZXM86600302W

Hand shower kit

(Supplied with either a white or black handset)

For use with the concealed shower valve

White

Chrome	XM85100100
Antique Gold	XM85100200
Polished Nickel	XM85100300

Black

Chrome	XM85100100B
Antique Gold	XM85100200B
Polished Nickel	XM85100300B

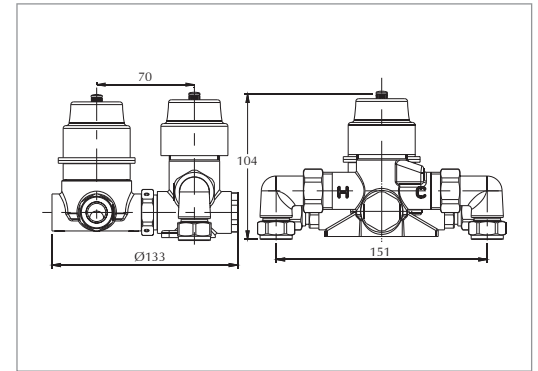
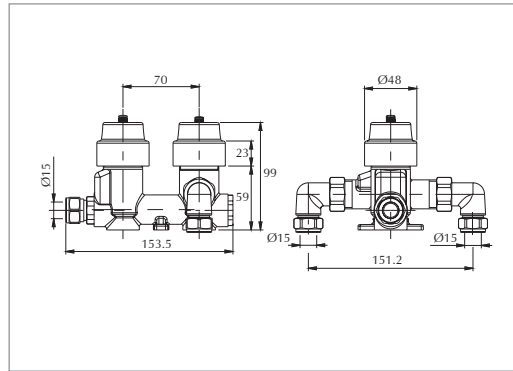
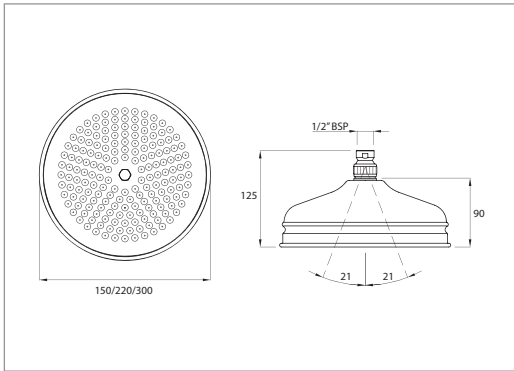
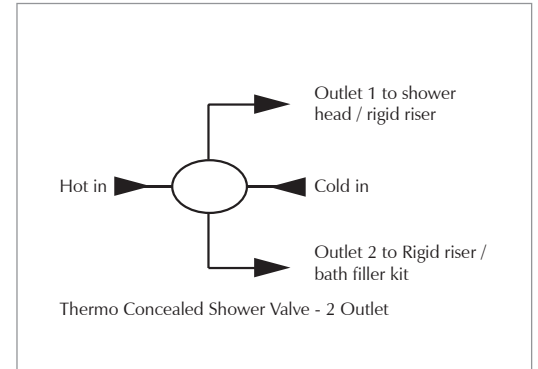
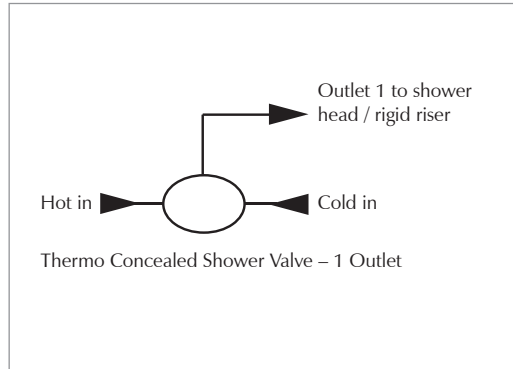
Amena Wall mounted slim rose head

(Supplied with wall round fixed arm)

200mm

Chrome	ZXM84100100
--------	-------------

CAMBRIDGE SHOWER COLLECTION



Dart traditional wall mounted rose head
(Supplied with wall round fixed arm)

150mm

Chrome ZXM84600100
Antique Gold ZXM84600200

220mm

Chrome ZXM84700100
Antique Gold ZXM84700200

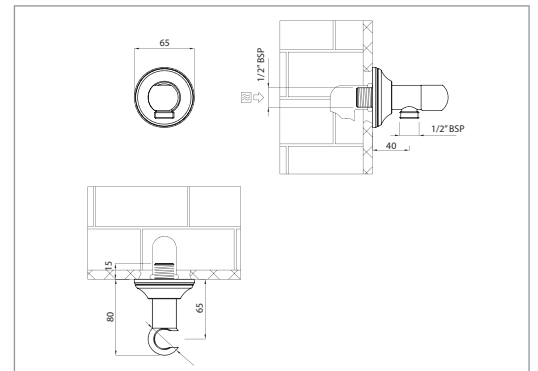
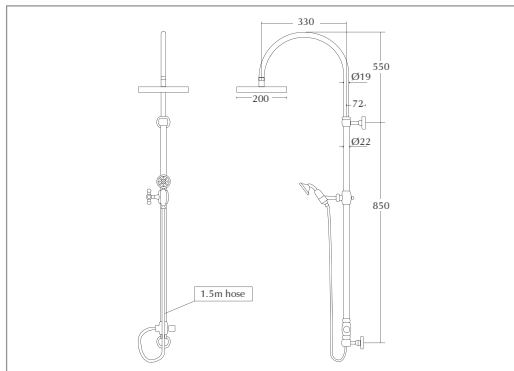
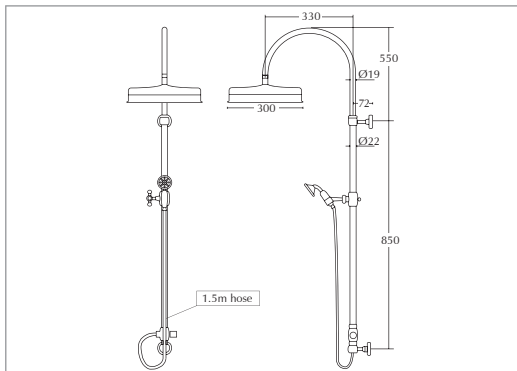
SINGLE WATER OUTLET THERMOSTATIC DUAL CONTROL VALVE

2 WAY WATER OUTLET THERMOSTATIC DUAL CONTROL VALVE

Please refer to the www.imperialtechspec.com website for the thermostatic valve body dimensions

For further technical information go to: www.imperialtechspec.com; Technical drawings are subject to change and therefore they are for guideline purpose only.

CAMBRIDGE SHOWER COLLECTION



Edwardian rigid riser - traditional dart head*

(White handset)

For use with the concealed shower valve

150mm

Chrome	ZXM87100100
Antique Gold	ZXM87100200
Polished Nickel	ZXM87100300

220mm

Chrome	ZXM87200100
Antique Gold	ZXM87200200
Polished Nickel	ZXM87200300

(Optional extra shower handset in Black)

Extra

Chrome	XM84500100
Antique Gold	XM84500200
Polished Nickel	XM84500300

Edwardian rigid riser - slim Amena shower head*

(White handset)

200mm

Chrome	ZXM87500100
Antique Gold	ZXM87500200
Polished Nickel	ZXM87500300

(Optional extra shower handset in Black)

Extra

Chrome	XM84500100
Antique Gold	XM84500200
Polished Nickel	XM84500300

Hand shower kit

(Supplied with either a white or black handset)

For use with the concealed shower valve

White

Chrome	XM85100100
Antique Gold	XM85100200
Polished Nickel	XM85100300

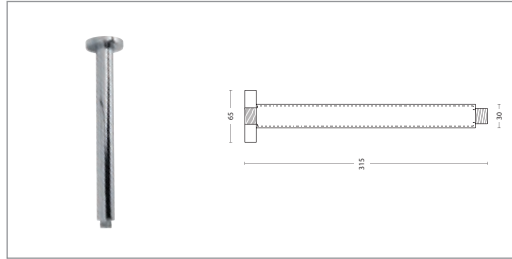
Black

Chrome	XM85100100B
Antique Gold	XM85100200B
Polished Nickel	XM85100300B

Please refer to the www.imperialtechspec.com website for the thermostatic valve body dimensions

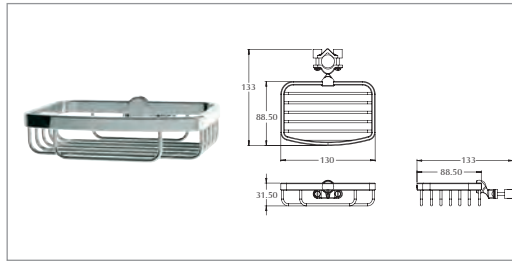
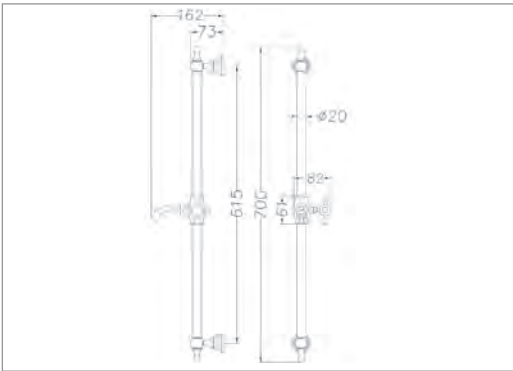
For further technical information go to: www.imperialtechspec.com; Technical drawings are subject to change and therefore they are for guideline purpose only.

CAMBRIDGE SHOWER COLLECTION



Ceiling shower adapter

Chrome	LICCARM120CP
Antique Gold	LICCARM120AG
Polished Nickel	LICCARM120PN



Victorian shower tidy soap rack

(For use with Victorian and Westminster rigid riser kits)

Chrome	XS62800100N
Antique Gold	XS62800200N
Polished Nickel	XS62800300N

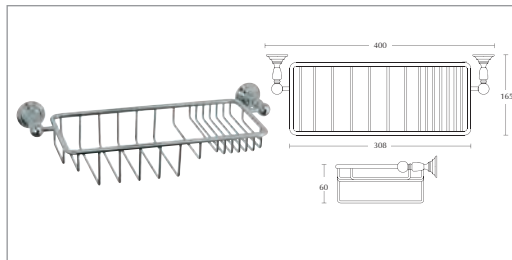
Lichfield Shower Rail kit, handset and hose

Chrome	LICSLIDERCP
Antique Gold	LICSLIDERAG
Polished Nickel	LICSLIDERPN

Please Note: You will need to add an outlet elbow when using in conjunction with a concealed valve.

Lichfield outlet elbow

Chrome	LICWELBCP
Antique Gold	LICWELBAG
Polished Nickel	LICWELBPN



Richmond shower tidy wall mounted

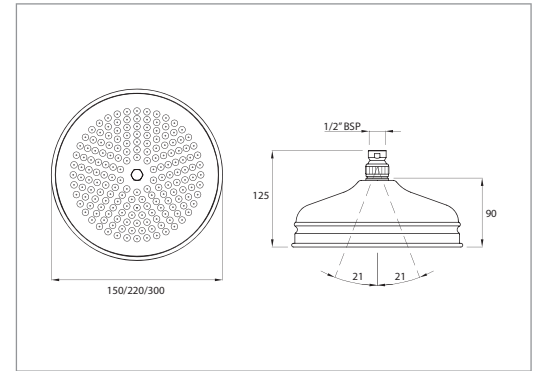
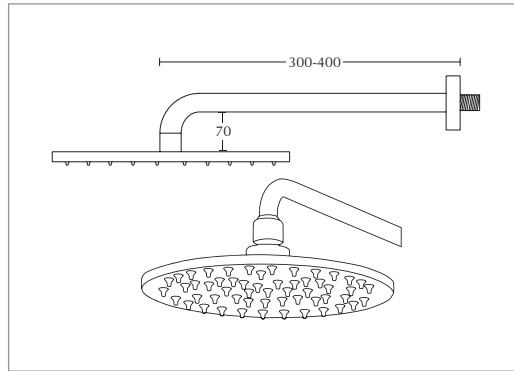
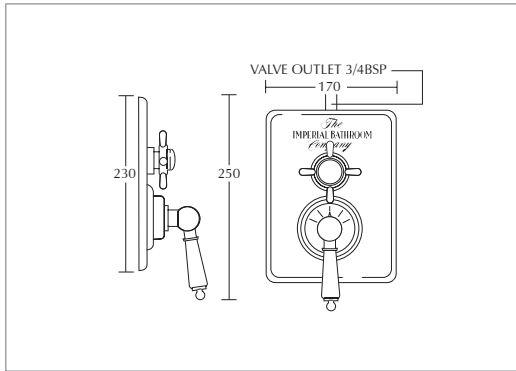
(For use with Victorian rigid riser kits)

Chrome	XCL0700100
Antique Gold	XCL0700200
Polished Nickel	XCL0700300

Please refer to the www.imperialtechspec.com website for the thermostatic valve body dimensions

For further technical information go to: www.imperialtechspec.com; Technical drawings are subject to change and therefore they are for guideline purpose only.

VICTORIAN SHOWER COLLECTION



Concealed Victorian thermostatic dual control valve

(White lever controls)

SINGLE WATER OUTLET

Chrome	ZXS6110100C
Antique Gold	ZXS6110200C
Polished Nickel	ZXS6110300C

Amena Wall mounted slim rose head

(Supplied with wall round fixed arm)

200mm

Chrome ZXM84100100

Dart traditional wall mounted rose head

(Supplied with wall round fixed arm)

150mm

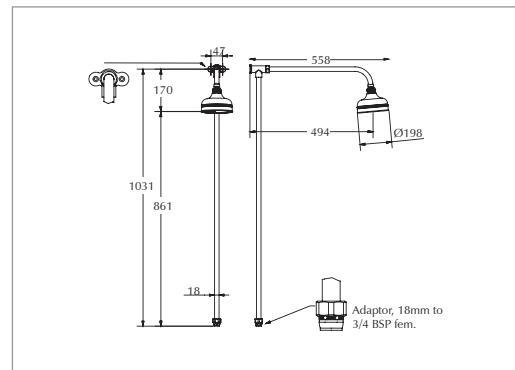
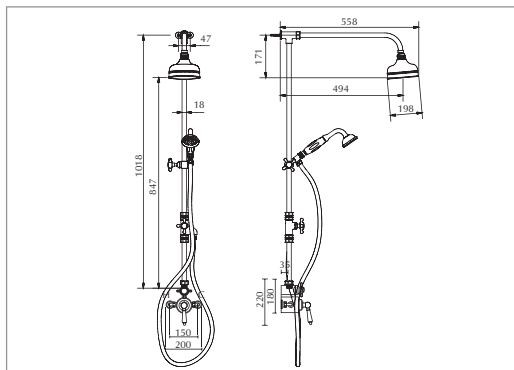
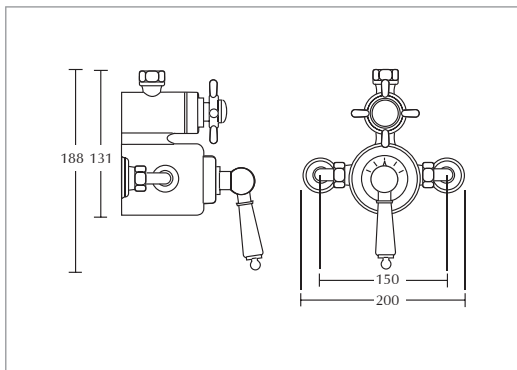
Chrome ZXM84600100
Antique Gold ZXM84600200

220mm

Chrome ZXM84700100
Antique Gold ZXM84700200



VICTORIAN SHOWER COLLECTION



Exposed Radcliffe thermostatic dual control valve
(White lever controls)

SINGLE WATER OUTLET

Valve only

Not suitable for Westminster exposed riser kit

Chrome	XS61100100
Antique Gold	XS61100200
Polished Nickel	XS61100300

Victorian rigid riser kit and shower valve - with diverter and handset

(Included White handset, shower valve, victorian soap dish and traditional rose head)

8" (198mm)

Chrome	ZXS6170100C
Antique Gold	ZXS6170200C
Polished Nickel	ZXS6170300C

Victorian rigid riser with a traditional rose head

For use with Radcliffe exposed shower valve

Not suitable for the use with the Westminster valve

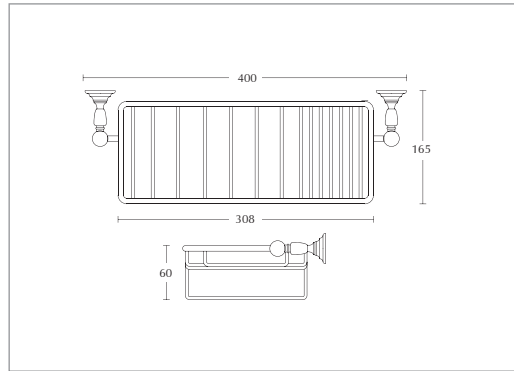
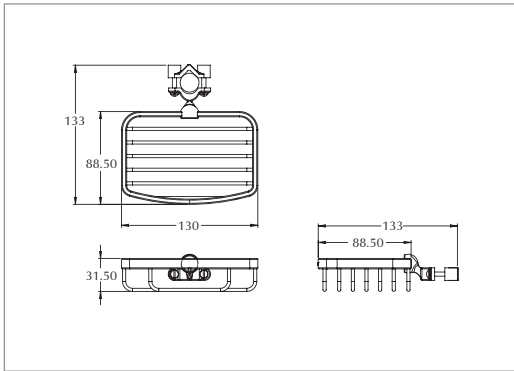
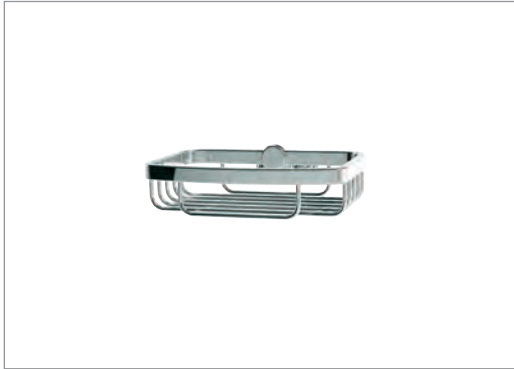
8" (198mm)

Chrome	XS61410100
Antique Gold	XS61410200
Polished Nickel	XS61410300

Please refer to the www.imperialtechspec.com website for the thermostatic valve body dimensions

For further technical information go to: www.imperialtechspec.com; Technical drawings are subject to change and therefore they are for guideline purpose only.

VICTORIAN SHOWER COLLECTION



Victorian shower tidy soap rack

(For use with Victorian and Westminster rigid riser kits)

Chrome	XS62800100N
Antique Gold	XS62800200N
Polished Nickel	XS62800300N

Richmond shower tidy wall mounted

(For use with Victorian rigid riser kits)

Chrome	XCL0700100
Antique Gold	XCL0700200
Polished Nickel	XCL0700300

Please refer to the www.imperialtechspec.com website for the thermostatic valve body dimensions

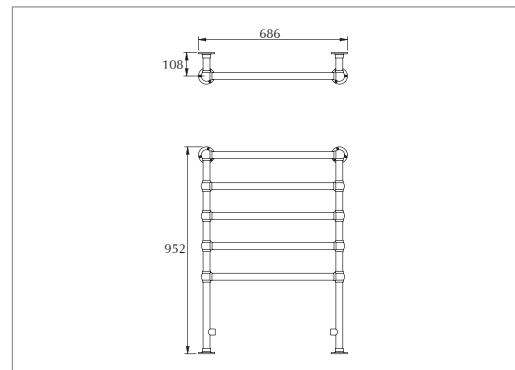
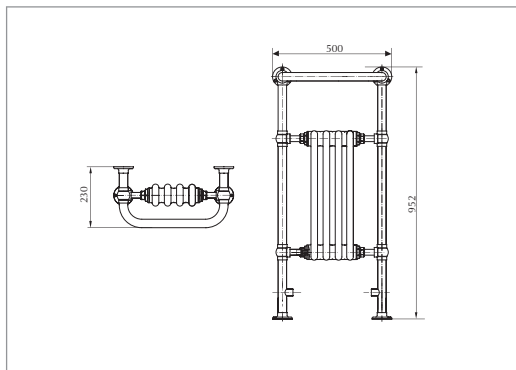
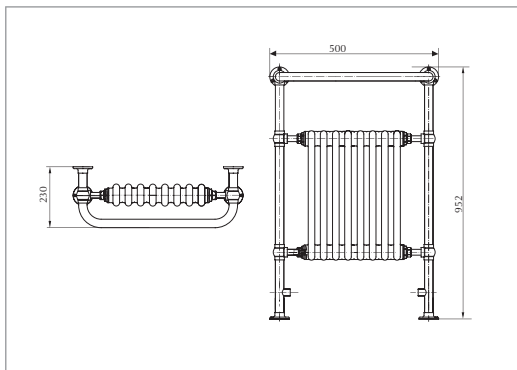
For further technical information go to: www.imperialtechspec.com; Technical drawings are subject to change and therefore they are for guideline purpose only.



THE RADIATOR COLLECTION

The finest bathrooms should be wonderfully warm and inviting, so in this unique collection you will find magnificent traditional radiators along with a variety of towel warmers. These warmers are a must if you want the perfect end to a luxury bathing experience, stepping out and wrapping yourself in thick, cosy towels.

RADIATORS



Malmo 8 bar White**

Water only

Chrome RAD0110100
Polished Nickel* RAD0110300

Malmo 4 bar White**

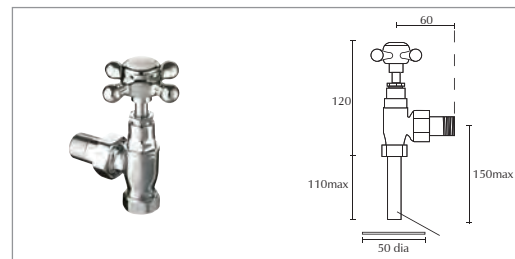
Water only

Chrome RAD0120100
Polished Nickel* RAD0120300

Lund floor standing radiator**

Water only

Chrome RAD0130100
Polished Nickel* RAD0130300



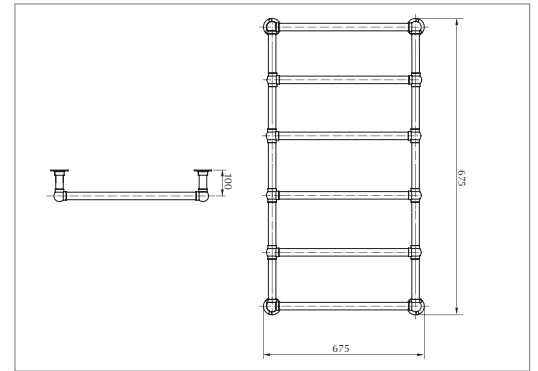
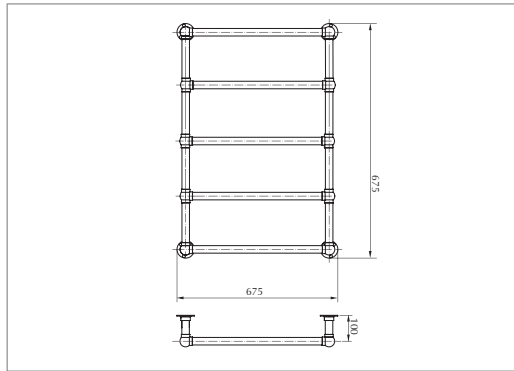
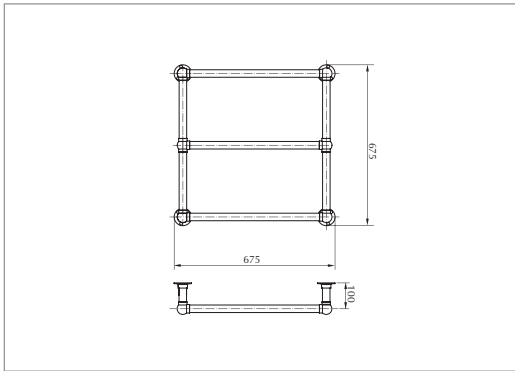
Traditional Chrome radiator valves

(pair)

Chrome RAD0000100
Polished Nickel RAD0000300

**Supplied without radiator valve *Polished Nickel incurs a 3 week lead time

RADIATORS



Lund 480x480 wall radiator**

Water only

Chrome RAD0107100
Polished Nickel* RAD0107300

Lund 920x600 wall radiator**

Water only

Chrome RAD0108100
Polished Nickel* RAD0108300

Lund 1450x500 wall radiator**

Water only

Chrome RAD0109100
Polished Nickel* RAD0109300

**Supplied without radiator valve *Polished Nickel incurs a 3 week lead time

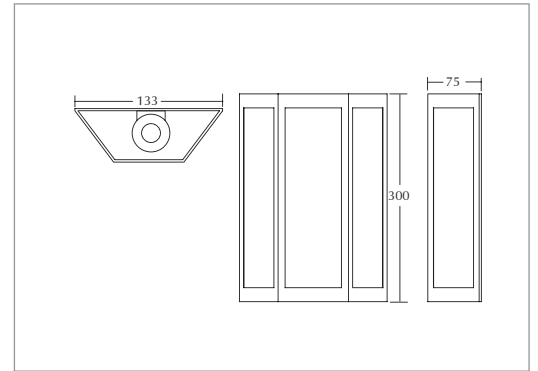
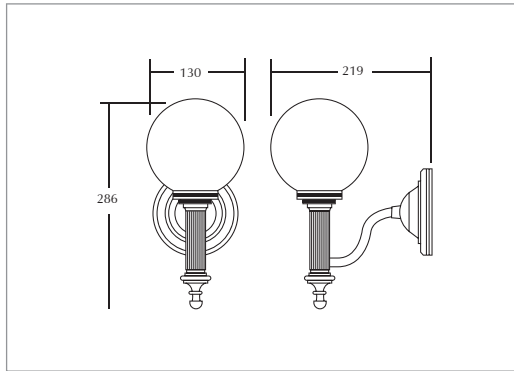
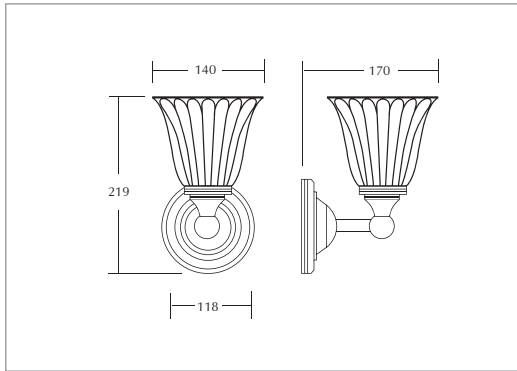
For further technical information go to: www.imperialtechspec.com; Technical drawings are subject to change and therefore they are for guideline purpose only.



THE LIGHTING COLLECTION

Most bathrooms benefit from a careful combination of practical lighting and softer mood lighting for those lazy evenings when that room transforms itself into your personal oasis of calm. You will find everything you are looking for here, with every fitting specially designed for the bathroom environment.

LIGHTING COLLECTION



Segovia lamp with glass shade

Chrome	XLP1000300
Antique Gold	XLP1000300AG
Polished Nickel	XLP1000300PN

Cadiz wall light with glass shade

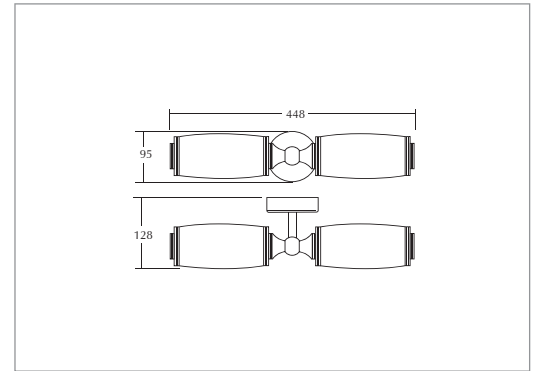
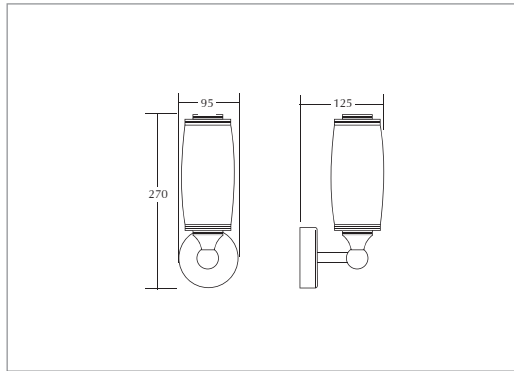
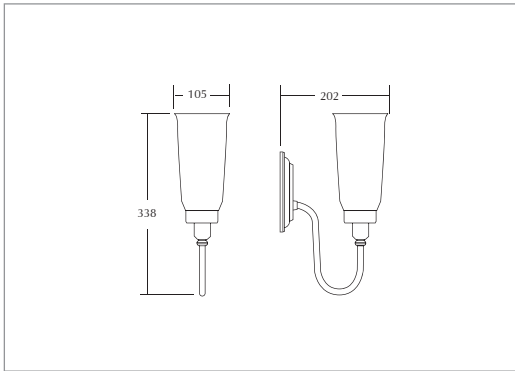
Chrome	XLP1000200
--------	------------

Empire wall light

Chrome	XLP1007000
--------	------------

IMPORTANT: All lamps have been tested and rated at IP44, suitable for use in Bathroom Zone 2 & Outside Zone. For more information please refer to the back of this guide.

LIGHTING COLLECTION



Single Avila wall light with glass shade

Chrome	XLP1000400
Antique Gold	XLP1002400
Polished Nickel	XLP1003400

Toledo single wall light and glass shade

Chrome	XLP1000600
--------	------------

Toledo double wall light and glass shade

Chrome	XLP1000500
--------	------------

IMPORTANT: All lamps have been tested and rated at IP44, suitable for use in Bathroom Zone 2 & Outside Zone. For more information please refer to the back of this guide.

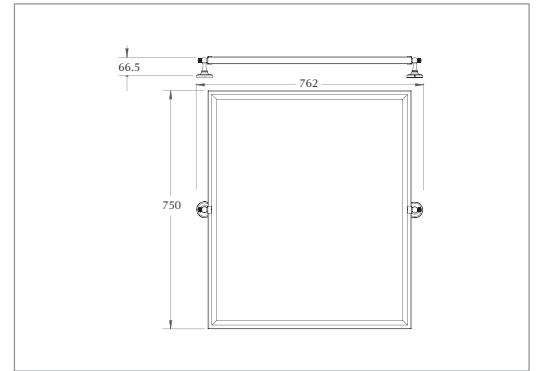
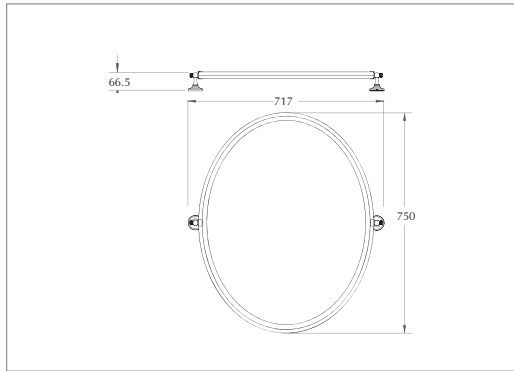
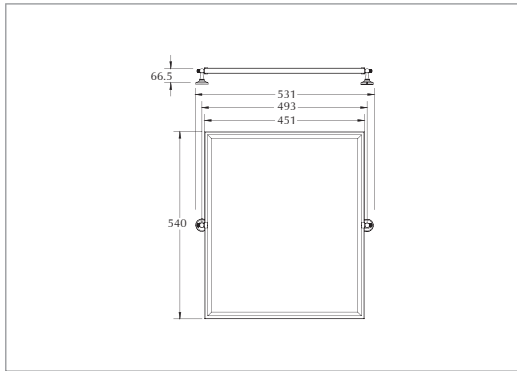
For further technical information go to: www.imperialtechspec.com; Technical drawings are subject to change and therefore they are for guideline purpose only.



THE MIRROR COLLECTION

Mirrors aren't just there for looking into. They also play an essential room styling role through their frame design and also by the way they enhance space by reflecting light. All mirrors in the Imperial collection are made from the highest grade materials and are specially sealed to give many years of service in the bathroom environment.

METAL FRAMED MIRRORS



William framed mirror
(rectangular)

Chrome

XLU0035100

Jules framed mirror
(oval)

Chrome

XLU0030100N

Tristan framed mirror
(rectangular)

Chrome

XLU0032100N

METAL FRAMED MIRRORS

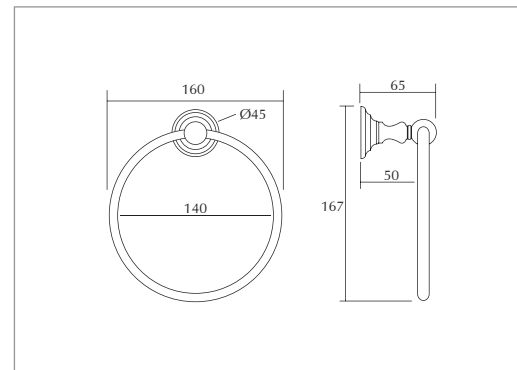
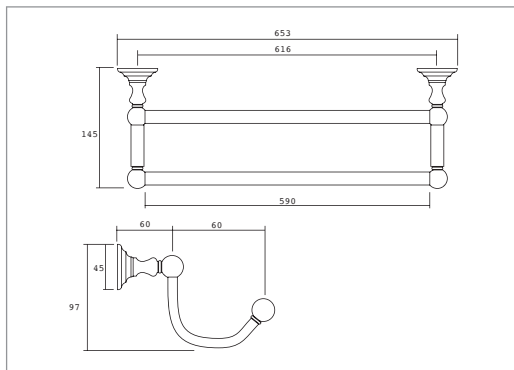
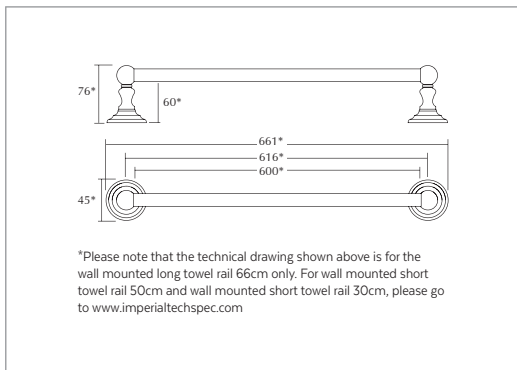




THE
RICHMOND LUXURY ACCESSORY
COLLECTION

Just as in haute couture, ultimate success
in fine bathroom styling demands a keen
awareness of the importance of accessories.
With ultimate quality and detailing, Imperial
makes it beautifully simple.

RICHMOND COLLECTION



Wall mounted long towel rail 66cm

Chrome	XCL0070100
Antique Gold	XCL0070200
Polished Nickel	XCL0070300

Wall mounted double towel rail 66cm

Chrome	XCL0200100
Antique Gold	XCL0200200
Polished Nickel	XCL0200300

Towel ring

Chrome	XCL0050100
Antique Gold	XCL0050200
Polished Nickel	XCL0050300

Wall mounted short towel rail 50cm (not shown)

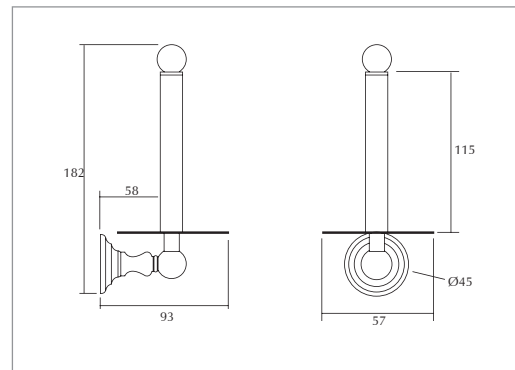
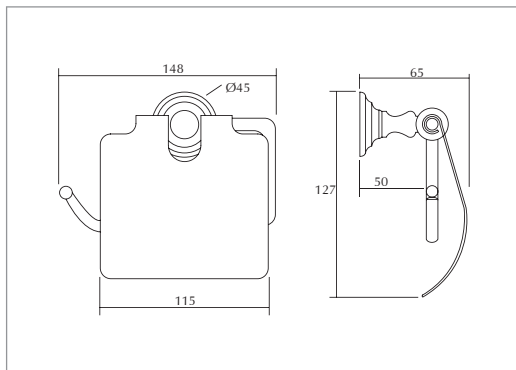
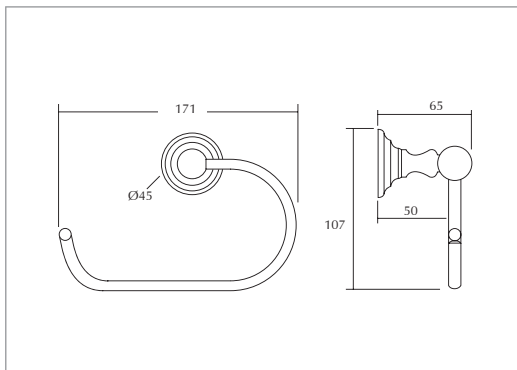
Chrome	XCL0060100
Antique Gold	XCL0060200
Polished Nickel	XCL0060300

Wall mounted short towel rail 30cm (not shown)

Chrome	XCL0400100
Antique Gold	XCL0400200
Polished Nickel	XCL0400300



RICHMOND COLLECTION



Wall mounted open toilet roll holder

Chrome	XCL0110100
Antique Gold	XCL0110200
Polished Nickel	XCL0110300

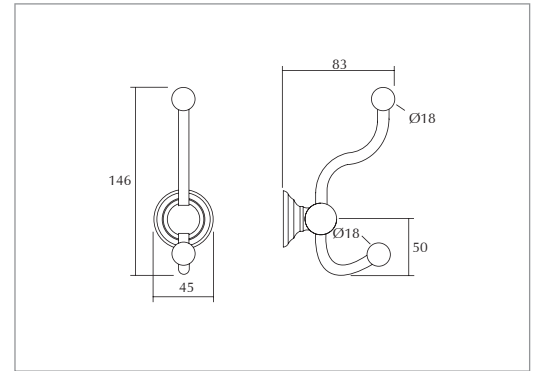
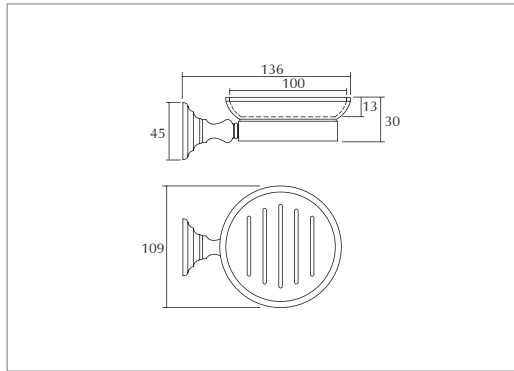
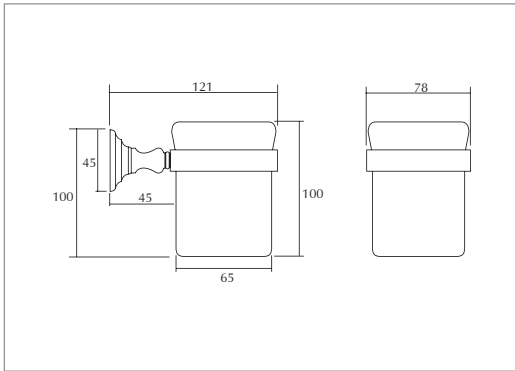
Wall mounted covered toilet roll holder

Chrome	XCL0040100
Antique Gold	XCL0040200
Polished Nickel	XCL0040300

Wall mounted spare toilet roll holder

Chrome	XCL0020100
Antique Gold	XCL0020200
Polished Nickel	XCL0020300

RICHMOND COLLECTION



Wall mounted tumbler

Chrome	XCL0300100
Antique Gold	XCL0300200
Polished Nickel	XCL0300300

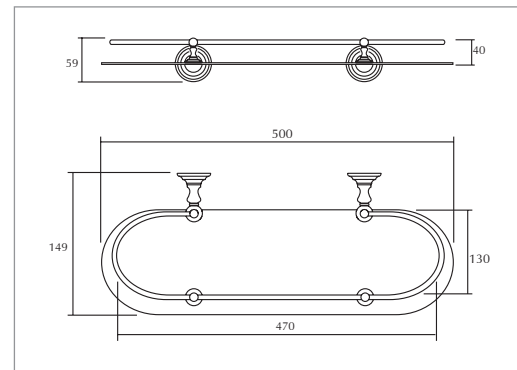
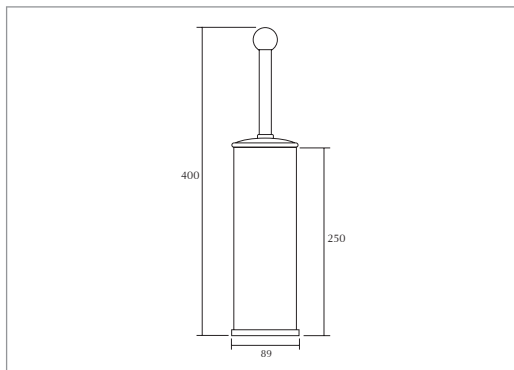
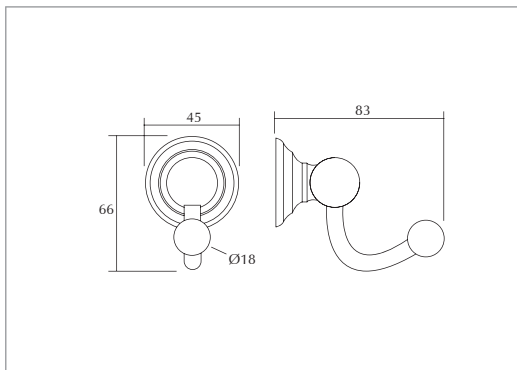
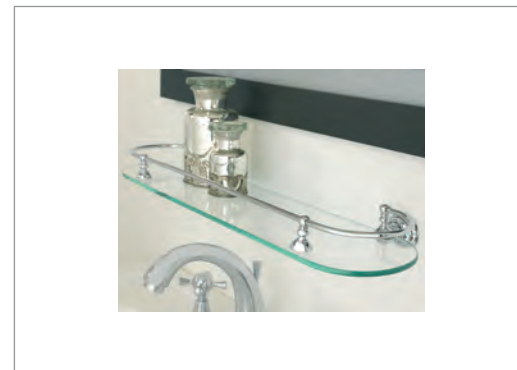
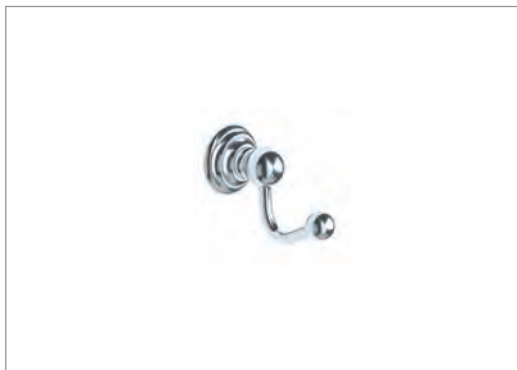
Wall mounted soap dish

Chrome	XCL0090100
Antique Gold	XCL0090200
Polished Nickel	XCL0090300

Double robe hook

Chrome	XCL0030100
Antique Gold	XCL0030200
Polished Nickel	XCL0030300

RICHMOND COLLECTION



Single robe hook

Free standing toilet brush holder

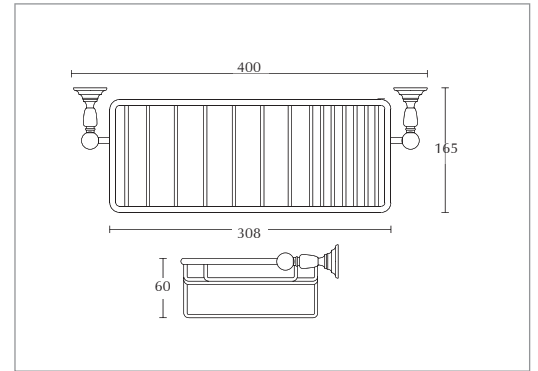
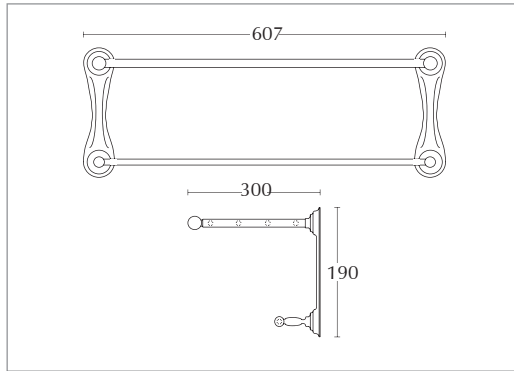
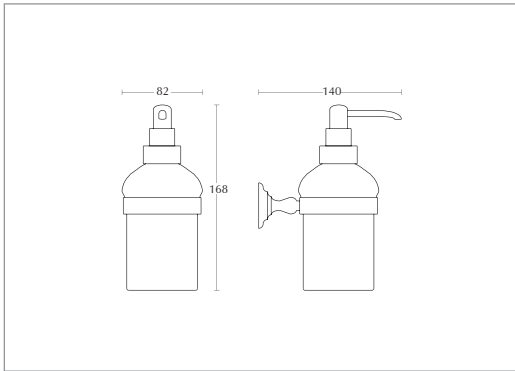
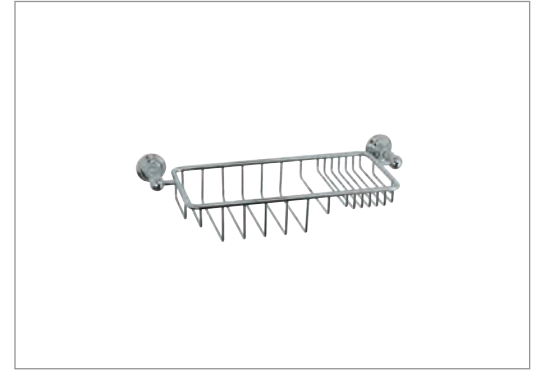
Wall mounted gallery shelf 50cm

Chrome	XCL0010100
Antique Gold	XCL0010200
Polished Nickel	XCL0010300

Chrome	XCL0080100
Antique Gold	XCL0080200
Polished Nickel	XCL0080300

Chrome	XCL0100100
Antique Gold	XCL0100200
Polished Nickel	XCL0100300

RICHMOND COLLECTION



Wall mounted soap dispenser

Chrome	XCL0600100
Antique Gold	XCL0600200
Polished Nickel	XCL0600300

Wall mounted towel shelf

Chrome	XCL0500100
Antique Gold	XCL0500200
Polished Nickel	XCL0500300

Richmond shower tidy wall mounted

(For use with Victorian rigid riser kits)

Chrome	XCL0700100
Antique Gold	XCL0700200
Polished Nickel	XCL0700300



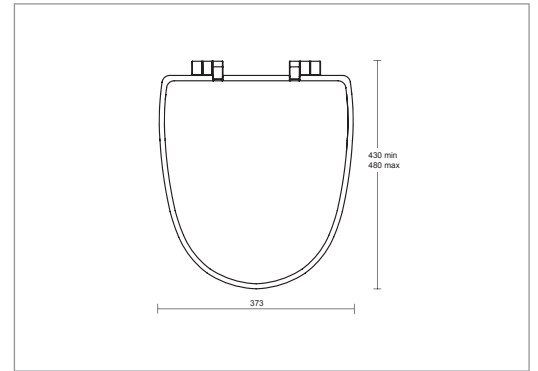
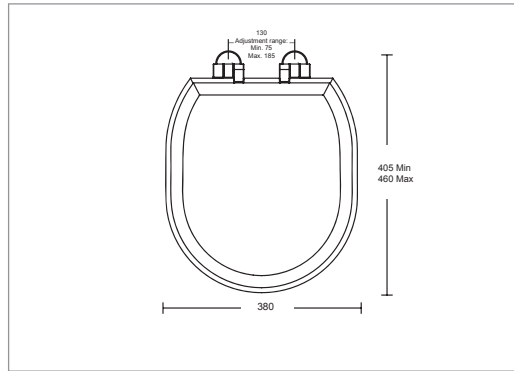
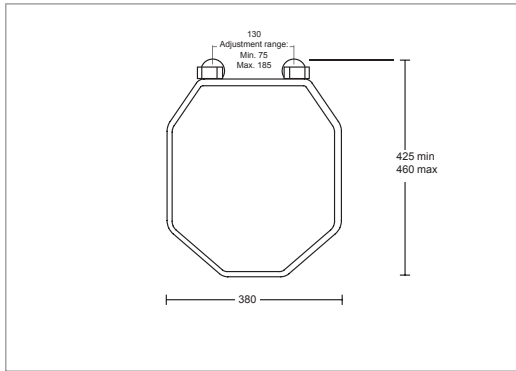
SOLID WOOD
TOILET SEAT
SPARES

A range of beautifully handcrafted solid wood toilet seats, designed to perfectly fit the contours of our collection of toilets.

Available in various painted and wood options, to complement your bathroom.

Toilet Seat Options

SOFT - CLOSE



Imperial Astoria toilet seat
supplied with a soft-close hinges

Chrome
White XA50000110NSB

Antique Gold
White XA50000210NSB

Polished Nickel
White XA50000310NSB

Imperial Classic toilet seat
supplied with a soft-close hinges

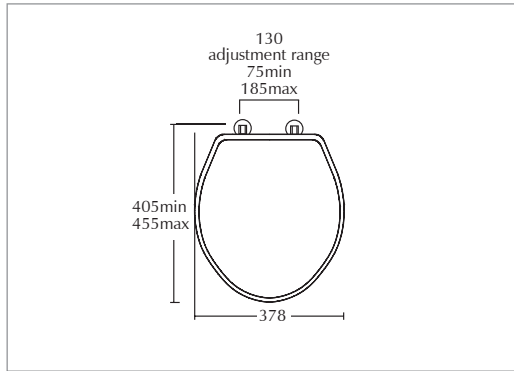
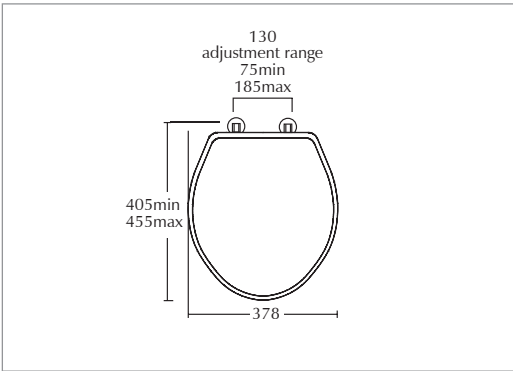
Chrome
White XC50000110NSB

Antique Gold
White XC50000210NSB

Polished Nickel
White XC50000310NSB

Imperial Contemporary toilet seat
supplied with a soft-close hinges

Chrome
White XS500S110SN



**Drift solid wood toilet seat -
with soft-close hinge**

Supplied with seat lid lift handle in the box

Chrome

Natural Oak XD50000120NSB

Antique Gold

Natural Oak XD50000220NSB

Polished Nickel

Natural Oak XD50000320NSB

**Drift painted toilet seat -
with soft-close hinge**

Supplied without seat lid lift handle

Chrome

White (Smooth) XD50000110NSB

Matt Black Grained XD50000150NSB

Antique Gold

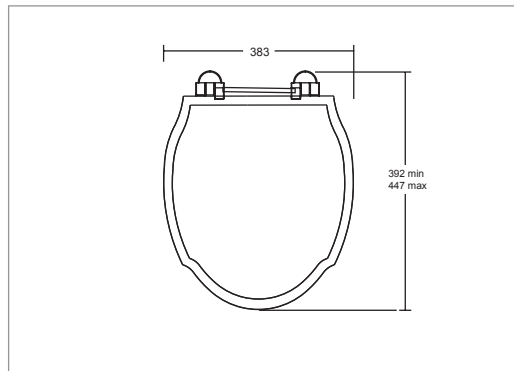
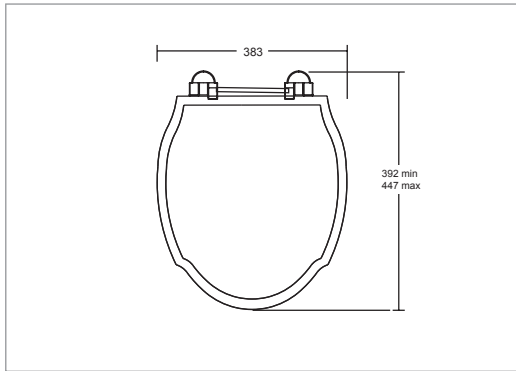
White (Smooth) XD50000210NSB

Matt Black Grained XD50000250NSB

Polished Nickel

White (Smooth) XD50000310NSB

Matt Black Grained XD50000350NSB



**Westminster solid wood toilet seat -
with soft-close hinge**

Supplied with seat lid lift handle in the box

Chrome

Natural Oak XM50000120NSB

Antique Gold

Natural Oak XM50000220NSB

Polished Nickel

Natural Oak XM50000320NSB

**Westminster painted toilet seat -
with soft-close hinge**

Supplied without seat lid lift handle

Chrome

White (Smooth) XM50000110NSB

Matt Black Grained XM50000150NSB

Antique Gold

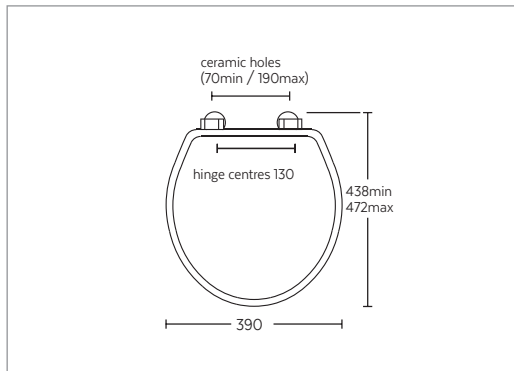
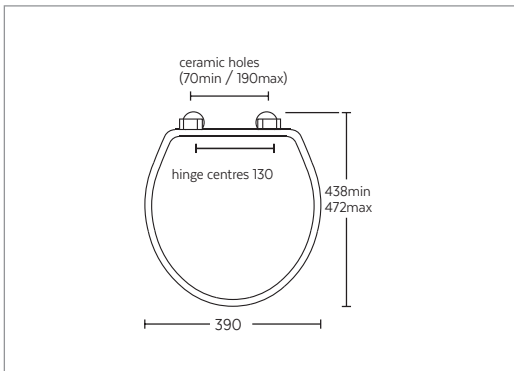
White (Smooth) XM50000210NSB

Matt Black Grained XM50000250NSB

Polished Nickel

White (Smooth) XM50000310NSB

Matt Black Grained XM50000350NSB



Lichfield/Putney painted toilet seat - with soft-close hinge
Supplied without seat lid lift handle

Chrome

White (Smooth)	XP50000110NSB
Matt Black Grained	XP50000150NSB
Cashmere Grained Seat	XP50000155NSB
Sage Thistle Grained	XP50000156NSB
Oxford Blue Grained	XP50000157NSB

Antique Gold

White (Smooth)	XP50000210NSB
Matt Black Grained	XP50000250NSB
Cashmere Grained Seat	XP50000255NSB
Sage Thistle Grained	XP50000256NSB
Oxford Blue Grained	XP50000257NSB

Polished Nickel

White (Smooth)	XP50000310NSB
Matt Black Grained	XP50000350NSB
Cashmere Grained Seat	XP50000355NSB
Sage Thistle Grained	XP50000356NSB
Oxford Blue Grained	XP50000357NSB

Hampton painted toilet seat - with soft-close hinge

Supplied without seat lid lift handle

Chrome

White (Smooth)	XH50000110NSB
Matt Black Grained	XH50000150NSB

Antique Gold

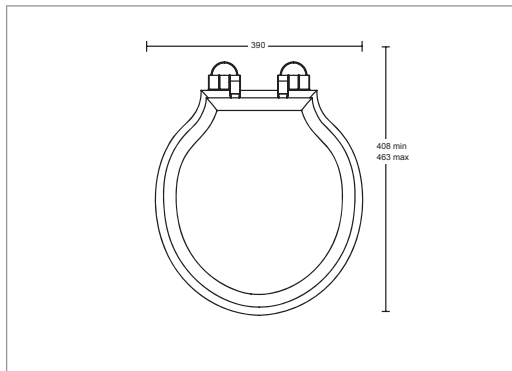
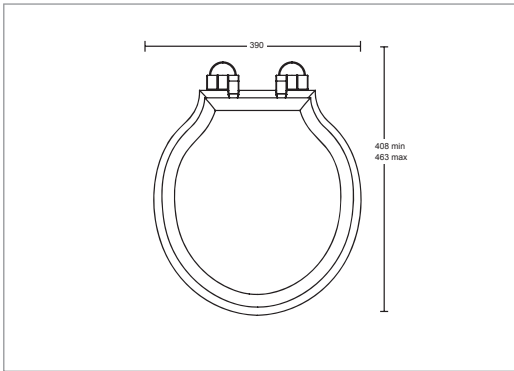
White (Smooth)	XH50000210NSB
Matt Black Grained	XH50000250NSB

Polished Nickel

White (Smooth)	XH50000310NSB
Matt Black Grained	XH50000350NSB

ETOILE Toilet Seat Options

SOFT - CLOSE



Etoile solid wood toilet seat - with soft-close hinge

Supplied with seat lid lift handle in the box

Chrome

Natural Oak XE50000120NSB

Antique Gold

Natural Oak XE50000220NSB

Polished Nickel

Natural Oak XE50000320NSB

Etoile painted toilet seat - with soft-close hinge

Supplied without seat lid lift handle

Chrome

White (Smooth) XE50000110NSB

Matt Black Grained XE50000150NSB

Antique Gold

White (Smooth) XE50000210NSB

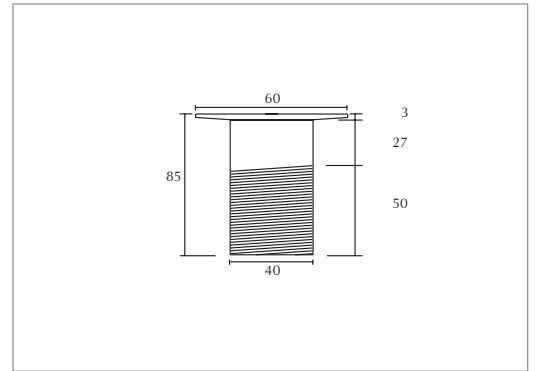
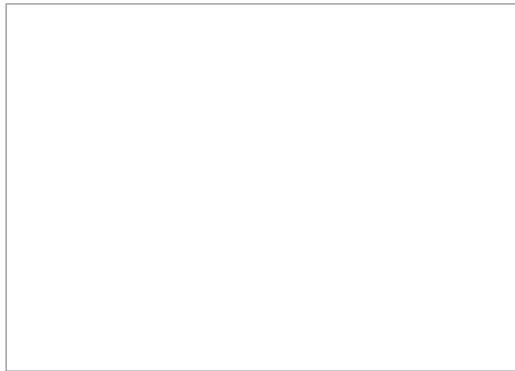
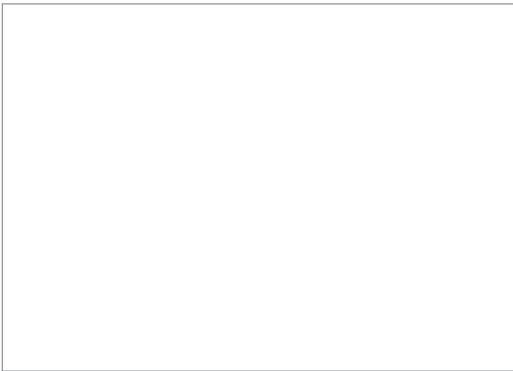
Matt Black Grained XE50000250NSB

Polished Nickel

White (Smooth) XE50000310NSB

Matt Black Grained XE50000350NSB

MISCELLANEOUS PARTS



Click clack basin waste

Slotted Waste

Chrome	XO60110300
Antique Gold	XO60110301
Polished Nickel	XO60110300PN

Unslotted Waste

Chrome	XO60110302
Antique Gold	XO60110303
Polished Nickel	XO60110302PN

Free flow waste

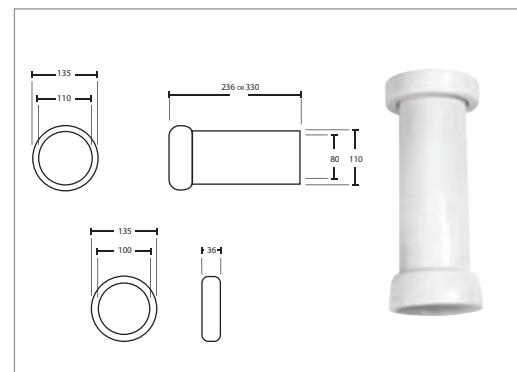
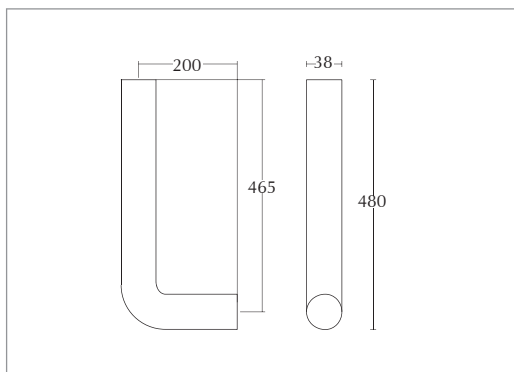
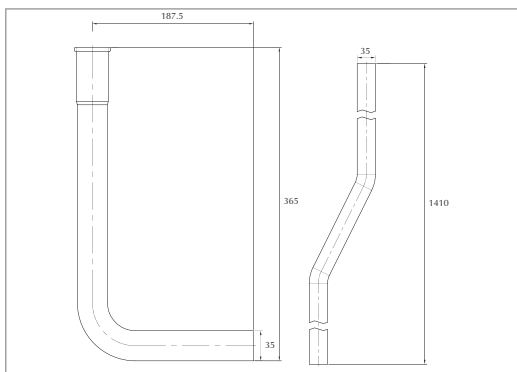
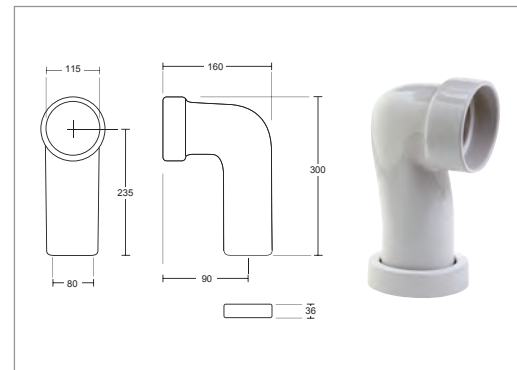
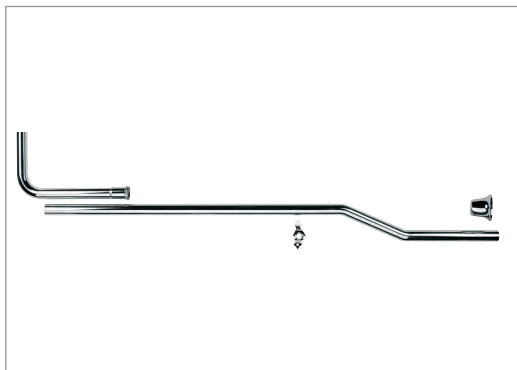
Chrome	XO60110401
Antique Gold	XO60110402
Polished Nickel	XO60110403

1 1/4" Basin waste

Complete with solid brass plug and chain

Chrome	XO60110100
Antique Gold	XO60110200
Polished Nickel	XO60110400

MISCELLANEOUS PARTS



High level flush pipe*

For Lichfield, Drift, Oxford, Etoile, Chelsea and Heyford

Chrome	XO16300100
Antique Gold	XO16300200
Polished Nickel	XO16300300

High level flush pipe*

For Astoria Deco, Radcliffe, Westminster, Bergier and Firenze

Chrome	XM16300100
Antique Gold	XM16300200
Polished Nickel	XM16300300

Low level flush pipe & shroud

For Lichfield, Drift, Oxford, Etoile, Chelsea and Heyford

Chrome	XO14200100
Antique Gold	XO14200200
Polished Nickel	XO14200300

Low level flush pipe & shroud

For Astoria Deco, Radcliffe, Westminster, Bergier and Firenze

Chrome	XM14200100
Antique Gold	XM14200200
Polished Nickel	XM14200300

Ceramic Bend Connector

White XZ18070000

Plumber Mait 750G

For use with ceramic connectors

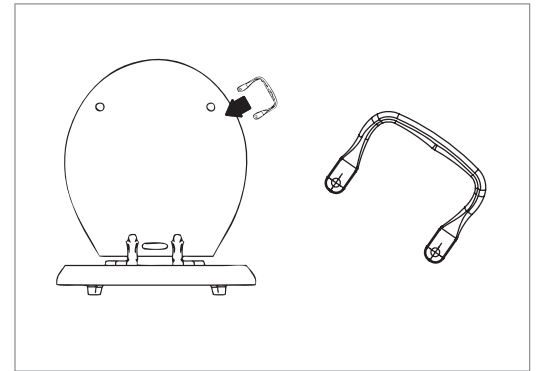
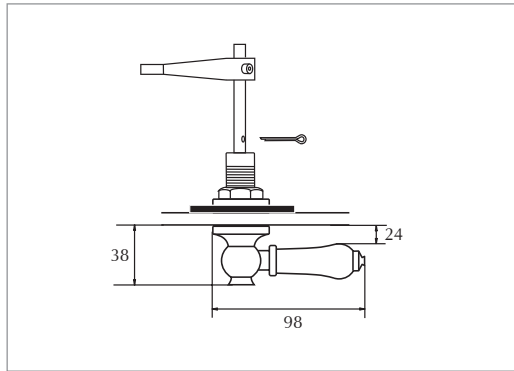
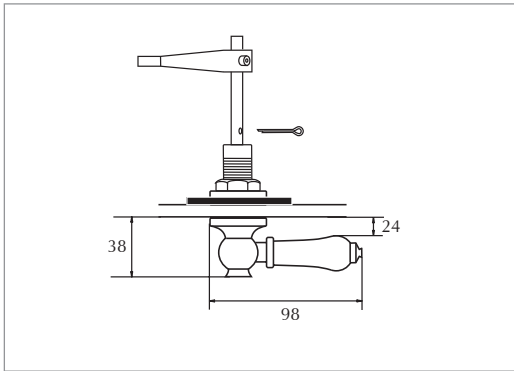
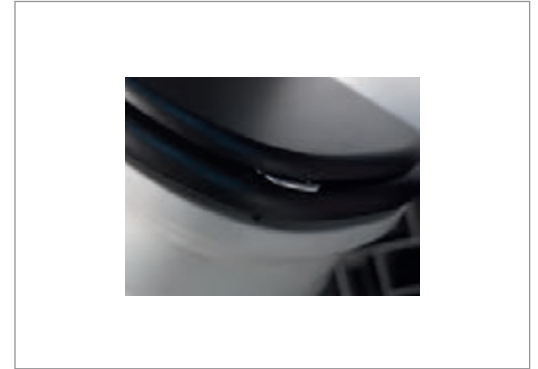
PLUMB01

Ceramic connectors

236mm White XZ18070020
330mm White XZ18070010

*Price excludes cistern brackets

MISCELLANEOUS PARTS



Ceramic cistern lever handle

Cistern fittings without handle for close coupled, low level or high level

Please specify suite when ordering

With white ceramic handle

Chrome	XO12000100
Antique Gold	XO12000200
Polished Nickel	XO12000300

With black ceramic handle

Chrome	XO12000140
Antique Gold	XO12000240
Polished Nickel	XO12000340

Ceramic cistern lever handle - Extended

For use with concealed cistern

With white ceramic handle

Chrome	XO12E00100
Antique Gold	XO12E00200
Polished Nickel	XO12E00300

With black ceramic handle

Chrome	XO12E00140
Antique Gold	XO12E00240
Polished Nickel	XO12E00340

Toilet seat lift handle

Chrome	XZ18060300
Antique Gold	XZ18060400
Polished Nickel	XZ18060500

Installation Instructions for Lighting Fixtures

IP44 rated wall lamps - information and installation

Important Information Imperial recommends that a qualified electrician should install your lighting

Lamps have been manufactured with care from quality materials and when installed correctly should give many years of trouble free service. To ensure your complete safety and satisfaction, before commencing any installation please ensure that you have read and fully understood the following instructions. Remember; if you have any doubts about connection please consult a qualified electrician.

IMPORTANT: We recommend that lamps are installed by a qualified electrician in accordance with current IEE wiring and building regulations. These lamps are not suitable for outdoor use.

Resistance to moisture: These lamps have been tested and rated at IP44. When assembled & mounted correctly, they are suitable for use in Bathrooms (Zone 2 and Outside Zone). Correct orientation of the wall lamps is essential to maintain this protection rating and is shown on the label 1.058

WARNING

Switch off electricity supply at fuse box before and during installation and maintenance. We recommend that the circuit fuse or breaker is withdrawn to prevent accidental switching on whilst work is in progress. Light fittings should be protected by a maximum 6 amp fuse / miniature circuit breaker (M.C.B.)

1. Remove the stainless steel mounting plate from the back of the lamp by unscrewing the allen screw in the top edge of the lamp back plate using the allen key provided.

2. Carefully mark the position of the fixing holes for the wall mounting plate in the desired position on the wall ensuring that the plate is the correct way up and not back to front. The wall lamps are quite heavy, and the mounting plate will need to be securely screwed to the wall using suitable fixings for the particular type of wall construction where the lamp is to be installed.

3. Taking great care not to interfere with existing cables or pipework, drill the fixing holes of a suitable size for the screws or fixings you are using.

4. Pass the cables from the wall through the plastic grommet of the mounting plate, and secure the plate to the wall using the screws or other fixings you have chosen. Carefully support the wall lamp, while making the mains connection as below.

5. The wires are coded as follows:

Brown - Live (L)

Blue - Neutral (N)

Green/Yellow - Earth (E) - THESE LAMPS MUST BE EARTHED

6. Connect the mains wires securely to the lamp as indicated above, using only the special terminal block supplied with the lamp. To open the terminal block cover, insert a small flat bladed screwdriver

into both of the small slots on the front of the cover marked with an arrow. Pushing the screwdriver down slightly and levering gently away from the housing will release the two small catches allowing the cover to be opened. When making the connection, ensure that no bare or loose strands of wire are exposed, and that the outer sheath of the supply cable passes through the special grommet into the connector box. Do not disassemble the connections made already from the lamp to the terminal block.

7. Secure the lamp to the mounting plate from the lower edge of the back plate first, sliding the lamp slightly upward to locate the tang on the mounting plate in the slot in the back of the lamp. Once located, bring the top of the lamp backplate toward the wall and secure by tightening the allen screw in the top edge with the allen key provided. Ensure that no wires are trapped when tightening the allen screw.

WATTAGE

Never exceed the maximum wattage as indicated on the bulb holders.

BULB REPLACEMENT

This differs between models: - Follow the directions below for only the model in use. In all cases, switch off the lamp and allow the bulb to cool prior to commencing.

Carlyon Single and Double, Radcliffe Single and Double, Toledo Single and Double: Unscrew the glass shade and replace the bulb with the same type as marked on the bulb holder.

Brokton and Pendant: - Shade and Bulb replacement. Unscrew the domed glass bulb cover complete with shade ring. (This is quite stiff due to its rubber sealing gland). Unscrew and remove the bulb. You can now fit the shade of your choice. With the shade seated on the bulb holder, screw in a new E14 screw cap tube shaped bulb of up to 40 watts maximum. Finally screw the glass bulb cover and shade ring back on to the lamp as a unit (it can easily be re-seated if they have come apart in disassembly).

Cadiz and Avila: Carefully remove the domed frosted glass bulb cover (this is a pull/push fit over the rubber seals at the base of the bulb holder). Unscrew the glass shade if greater access is required and pull out the old bulb. Replace the bulb with a G9 mains voltage halogen bulb of 40 watts maximum taking care not to let the bulb have direct contact with your fingers. Screw the glass shade back on to the lamp and finally push home the domed frosted glass bulb cover ensuring it is over the seals at the bottom of the bulb holder.

CARE OF THIS PRODUCT

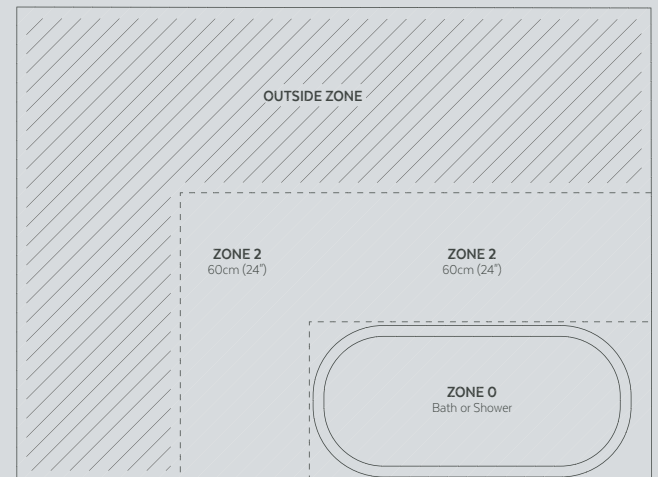
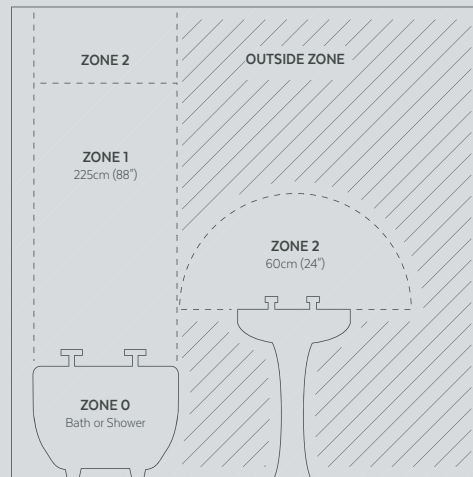
Clean only with a dry soft duster. Do not use any proprietary cleaners and polishes, which may have a detrimental effect on the finish.

Complaints made following installation cannot be accepted.

Lighting zones

Getting it right

Bathrooms need to operate on both a practical and sensory level to tackle the morning rush and evening unwind. Imperial lighting ranges are designed to perform as both task and mood lighting, offering the perfect lighting conditions for bathrooms as well as other rooms in the house.



Customer Care and Guarantees

Purchasing, installing and caring for your Imperial bathroom

ENGLISH

Guarantees and Customer Care, Terms and Conditions

SALES ORDERS

All orders must be faxed to Imperial (+44 1922 743180) or sent by e-mail (UK) sales@imperial-bathrooms.co.uk All export orders to export@imperial-bathrooms.co.uk. Unfortunately we are unable to accept verbal orders. The Buyer must acknowledge that he is aware of Imperial's Selling Terms and Conditions when placing the order. Cancelled Orders must be done in writing (by fax or e mail) to the sales office. If the order has been shipped or has been delivered, then there will be a 30% re-stocking fee applicable.

DELIVERY

Subject to stock availability, we would expect to ship the goods from our warehouse within 5 working days. If we are unable to ship the order complete, then we will ship the goods as soon as all items are available. The Sales office will keep you informed of your order status, and if you have any questions then please call the sales office on +44 1922 743074.

If a delivery has missing or damaged items, then you must inform in writing the sales office within 3 working days of receiving the goods (by fax or e mail). Failure to declare this within this timescale will make the claim void.

RETURNS

No goods can be returned to Imperial without authorization. Please inform the sales office of any returns, and obtain a Return Material Authorisation Number. Imperial will then contact you to make arrangements to have the goods returned.

TERMS & CONDITIONS

Please contact the Sales office for a set of our Terms and Conditions. These terms and conditions are governed by the laws of England and Wales and each party submits to the jurisdiction of the English Courts.

Other Conditions are as laid out by the Selling Contract & letter of introduction by Imperial

INSTALLATION & TECHNICAL SPECS

We recommend that all products are purchased with the assistance of a specialist bathroom retailer and always installed by an experienced installer who is a member of a recognised plumbing association. A list of bathroom retailers is available from our sales office and many retailers who display the Imperial product ranges can offer a complete design and installation service. Imperial Bathrooms Sanitaryware products are produced to the most demanding standards and each piece can be subject to as many as 15 individual quality control checks during production. Notwithstanding the high quality finishes achieved in the Imperial factory, all Sanitaryware is subject to the limitations of the ceramic manufacturing process. Unlike machine finished products, natural clay based products shrink and move during firing and, because it is not possible to control this process absolutely, minor variations in the dimensional stability of finished products will occur. In most instances this is not noticeable and will have no significant effect upon the installation or upon the look of the finished bathroom, but in any event these variations are normal and to be expected.

For further Technical Information and Dimensions please go to www.imperialtechspec.com or contact the sales office on +44 1922 743074

All products should be inspected before installation.

(i) Sizes all sizes quoted in this brochure are nominal. Actual ceramic sizes may vary by + or - 2% against the figures quoted in our technical data. When planning installations where dimensions are critical it is essential that the space allowed for individual items is physically checked with the products to be installed.

(ii) **Wood Finishes** - All natural wood finishes mature with age and Colours may vary slightly from batch to batch or from panel to panel. It is therefore not always possible to achieve a precise colour match when additional items are added at a later date.

(iii) **Vitreous China** These are extremely hard, non-porous products; but are also brittle and therefore must not be put under stress during installation. Basin waste fittings when over tightened can create stress within the ceramic material which may in time cause the failure of the product. Waste fittings should be carefully bedded in silicon and the back nut hand tightened. One additional quarter turn using a suitable spanner is sufficient to create the required watertight seal. Care should also be taken when fitting brassware in order to prevent similar stress related failures.

(iv) **Cistern Flushing** - All Imperial Bathrooms WC pans and cisterns flush at 6 litres in compliance with European EN Standards

(v) **Acrylic Baths** - Acrylic bath sizes are nominal the final size often depending on the degree of detail incorporated in the design. All baths should be carefully inspected before installation.

(vi) **Gold & Nickel plating** all items supplied in Antique Gold or Nickel finish have been plated in the UK and the plating complies with British and European Standards relating to the products concerned. These special order items can not be returned to Imperial

(vii) **Furniture** - Imperial Bathrooms furniture is produced from a combination of solid wood and wood veneer panels, and all sizes quoted are nominal and must be checked against actual product. The timber used is supplied from renewable sources and whilst every care is taken in the manufacture of wooden products inevitably there will always be variation in both colour and grain pattern between individual pieces - indeed this is part of the beauty and unique appeal of using a natural material. Where frosted glass is a feature, only toughened safety glass is used.

(viii) **Cast Iron Baths** - During manufacture a thick coat of powder enamel is fused onto the internal surface of the red hot cast iron. This long established process can however produce ripples, small dimples and specks on the surface which are indeed part of the character and appeal of this type of product and it is normal and to be expected - the performance of the bath is however not affected.

(ix) **Bar Pressures** - The recommended operating pressure for taps, mixers and shower valves is from 0.3 Bar to 5 Bar. If the pressure is higher, a pressure reducing valve should be incorporated within the system.

(x) **Tiles** your tiles have been manufactured to simulate the look, (size, shape, colour, thickness, tone of glaze) of a hand made tile and, as such, are all different in appearance from each other. In order to obtain the best blend, we recommend taking tiles from a number of boxes on application. To obtain the best appearance, we recommend a 3mm grout line. Use only waterproof adhesives and grouts. For Further Technical Data and for further installation instructions on the Tiles please contact the sales office on +44 1922 743074

(xi) **Basin stands** are produced by hand and slight imperfections on the surface detail are normal due to the material and the manufacturing process.

(xii) **The Hardwick glass legs** are manufactured from Borosilicate 3.3 glass, 30mm diameter - Not toughened

LOOKING AFTER YOUR BATHROOM

Sanitaryware -The glazed finish of your Sanitaryware should be cleaned after use by applying a little cream-type cleaner. Apply using a sponge or damp cloth and rinse thoroughly with clean water. Cleaners containing abrasive materials should be avoided.

Antique Gold, Chrome or Nickel plated brassware and taps should be cleaned with warm soapy water and dried with a soft cloth. Under no circumstances should bleach or abrasive cleaning products, polishes, or detergent be used on plated surfaces and in particular should these materials be used on Nickel or Gold plated items it is possible that the surface will be damaged.

Acrylic baths should be cleaned using similar non abrasive cleaners.

Bathroom vanity furniture, Seats and Bath Panels can be wiped over with a damp cloth and dried with a soft duster. The use of polishes containing silicon or any abrasive materials can damage the wood finish. Natural wax polishes should be used sparingly and applied using a soft dry cloth.

Stone / Marble - To assist you in use, each piece of stone/marble has already been pre-sealed but will require regular maintenance with appropriate care and sealant products. We have used a special impregnation which optimally protects absorbent, stain-sensitive natural stone surfaces. It largely prevents the penetration of oil, greases, and water and makes further maintenance easier. Using the right ongoing care products will facilitate the cleaning process and will maintain a fresher appearance of your stone surfaces. We recommend that you re-treat your purchase on a quarterly or six-monthly basis dependant upon use.

Tiles should be cleaned by washing with warm water with which a neutral, clear, low sulphate detergent has been added. After cleaning, rinse well with clean water and polish with a clean soft dry cloth.

MANUFACTURING POLICY

1. The policy of the IBC Products Ltd is one of continuous improvement. We therefore reserve the right to alter or amend specifications/dimensions and prices without notice and to withdraw specific items/Colours without notice.

2. Colour reproduction in this brochure is as accurate as the variables in photographic and printing process will allow and specific colours may vary from actual products.

3. Great care is taken to ensure that products supplied by The IBC Products Ltd are supplied to you in perfect condition. Your purchases should, however, be checked for manufacturing defect (or damage) before any installation work is carried out. We are unable to accept responsibility for any defect which was evident before or has occurred as a result of installation.

GUARANTEES

1. Sanitaryware and consoles supplied by IBC Products Ltd carry a Ten Year guarantee against failure caused by manufacturing defect.

2. Imperial taps, mixers, Accessories, Shower Valves are guaranteed against manufacturing defects for One Year, this excludes plated surfaces and replaceable parts which are subject to normal use i.e. washers.

3. Imperial Bathrooms vanity furniture is guaranteed against manufacturing defects for a period of Two Years from installation.

4. All Imperial Bathrooms baths carry a 5 years guarantee against manufacturing defects.

5. All stone, marble and composite work top products carry a Two Year guarantee against manufacturing defects and does not guarantee against staining / discolouration.

6. Radiators carry a 2 year guarantee against manufacturing defects excluding plated finishes or electric heating elements.

MAKING A CLAIM UNDER WARRANTEE

To make a claim under the guarantee the following conditions must be met:

1. Proof of purchase should be supplied at the time of the claim.

2. Product should have been fitted in accordance with our fixing instructions, EN Standards and general good plumbing practice.

3. We need to ensure that the product has been maintained and cared for in accordance with our Care Instructions. We cannot accept responsibility for the failure of a product if it has been modified, misused, neglected or willfully or accidentally damaged. It should have been used for its sole design purpose

4. We must be given reasonable opportunity to inspect the product in the installed situation. If removed the product should be retained for inspection.

5. Our policy is one of continuous improvement. If the product has failed under the terms of the guarantee and a replacement is offered, but identical goods are no longer available, we will replace with the nearest equivalent.

6. This guarantee applies only to the single product in question and not to the whole bathroom suite.

7. We will not bear costs for repairs or replacements where the product fault is due to the following: Accidental or malicious damage, Improper use, Negligence, General wear and tear, Damage due to poor installation or, servicing or consequential loss, Where modifications have been made to the product, Where the product has not been used for its sole purpose, Inappropriate use.

8. These terms and conditions are governed by the laws of England and Wales and each party submits to the jurisdiction of the English Courts.

9. To the extent permitted by applicable law, other than the express warranty set forth in these terms and conditions, we (or any other third-party supplier) make no additional warranties, expressed or implied, and disclaim all implied warranties, whether in fact or by operation of law, statutory or otherwise, including warranties or conditions of merchantability and fitness for particular purpose. Any warranties that may not be disclaimed under applicable law are limited in duration to the warranty period. No warranties, expressed or implied, will apply after this period. In no way will we (or any third party supplier) be liable for any special, indirect, incidental or consequential damages, losses costs of expenses, however arising, whether in contract or tort, including without restriction, any economic losses of any kind, any loss or damage to property, any labour costs of refitting the product, any personal injury, any damage or injury arising from or as a result of misuse or abuse, or the incorrect installation, integration or operation of the product. We neither assume nor authorize any other person to accept any liability in connection with repair or replacement of the product. And we limit any claim to the value of replacement goods only and not any consequential charges (such as plumbing Costs).

10. Warranty is not transferable and applies only to the original purchaser / retailer.

For technical drawings & sizes, please refer to our technical website : www.ImperialTechSpec.com

FRANÇAIS

Garanties, Services Client et conditions de vente

COMMANDES

Toutes les commandes doivent être envoyées par télécopieur à Imperial (+44 19 22 74 31 80) ou par e-mail export@imperial-bathrooms.co.uk. Nous regrettons de ne pouvoir accepter les commandes verbales. Au moment de passer la commande, l'acheteur doit convenir qu'il est informé des conditions de vente d'Imperial. L'annulation des commandes doit être faite par écrit (par télécopieur ou par e-mail) et transmise au bureau de vente. Si la commande a été expédiée ou livrée, il sera appliqué 30% pour frais de redstockage.

LIVRAISON

Sous réserve de disponibilité des stocks, nous anticipons d'expédier les marchandises de notre dépôt dans les 5 jours ouvrables. Si nous ne sommes pas en mesure d'expédier la commande intégrale, nous expédierons les marchandises dès que les articles seront disponibles. Le bureau de vente vous tiendra au courant des progrès de votre commande. Pour toutes questions complémentaires, veuillez appeler le bureau de vente au n° +44 19 22 74 30 74. S'il y a des articles manquants ou endommagés dans la livraison, vous devez informer le bureau de vente dans les 3 jours ouvrables qui suivent la réception des marchandises (par télécopieur ou par e-mail). Si cela n'est pas déclaré dans le délai requis, la réclamation sera nulle et non avenue.

RETOURS

Aucun article ne peut être retourné à Imperial sans autorisation. Veuillez informer le bureau de vente de tout retour, et obtenir un numéro d'autorisation de retour d'article. Imperial vous contactera afin de prendre les dispositions requises pour le retour des articles.

CONDITIONS DE VENTE

Pour obtenir une documentation de nos Conditions de vente, veuillez contacter le bureau de vente. Ces conditions de vente sont régies par les législations de l'Angleterre et du Pays de Galles, et chaque partie doit se soumettre à la juridiction des tribunaux anglais.

D'autres conditions sont stipulées dans le contrat et de vente et la lettre de présentation d'Imperial

INSTALLATION ET CARACTÉRISTIQUES TECHNIQUES

Nous recommandons que tous les produits soient achetés en faisant appel à l'assistance d'un revendeur spécialisé dans les articles pour salles de bains, et qu'ils soient toujours installés par un installateur chevronné faisant partie d'une association de plombiers réputée. Pour obtenir une liste des revendeurs de salles de bains, prière de vous adresser à notre bureau de vente ; de nombreux revendeurs qui présentent les gammes de produits Imperial sont en mesure de proposer un service complet d'étude et d'installation. Les produits sanitaires pour salles de bains Imperial sont fabriqués selon les normes les plus rigoureuses, et chaque article fait l'objet de quinze contrôles de qualité individuels pendant la production. Exception faite des finitions de haute qualité réalisées par l'usine Imperial, tous les articles sanitaires sont soumis aux limitations du procédé de fabrication de la céramique. Contrairement aux produits finis machine, les produits fabriqués à base d'argile naturelle se rétractent et se déforment pendant la cuisson, et comme il n'est pas possible de complètement maîtriser ce processus, des variations mineures peuvent apparaître dans la stabilité dimensionnelle des produits finis. Dans la plupart des cas, ceci n'est pas apparent et n'aura aucune conséquence importante lors de l'installation, ou dans l'esthétique de la salle de bains finie, mais en tous cas, ces variations sont normales et peuvent être anticipées.

Pour tous renseignements techniques complémentaires et tous renseignements sur les dimensions, veuillez consulter www.imperialtechspec.com ou contactez le bureau de vente au n° +44 19 22 74 30 74

Il faut inspecter tous les produits avant l'installation.

(i) Dimensions: Toutes les dimensions indiquées dans cette brochure sont nominales. La taille réelle de la céramique présente des variations de + ou - 2% par rapport aux chiffres indiqués dans nos caractéristiques

techniques. Pour préparer une installation où les

dimensions sont critiques, il est essentiel de contrôler physiquement l'espace prévu pour chaque article et de le comparer avec les produits à installer.

(ii) Finitions bois: Toutes les finitions en bois naturel s'affinent en vieillissant et les couleurs peuvent légèrement varier d'un lot à l'autre ou d'un panneau à l'autre. Par conséquent, il n'est pas toujours possible d'obtenir une correspondance précise des coloris lorsque des articles supplémentaires sont ajoutés ultérieurement.

(iii) Porcelaine: Les produits en porcelaine vitrifiée sont extrêmement durs et non poreux, mais également fragiles. Par conséquent, ils ne doivent pas être soumis à des contraintes au cours de l'installation. Si la robinetterie pour lave-mains est trop serrée, cela risque de créer des contraintes dans le matériau en céramique et éventuellement, la défaillance du produit. Les bandes doivent être soigneusement posées dans du silicone, et le contre-écrou doit être serré à la main. Il suffit de le tourner d'un quart de tour supplémentaire avec une clé appropriée pour créer l'étanchéisation requise. Agir également avec précaution pour poser la robinetterie en laiton afin d'éviter toutes défaillances liées aux contraintes.

(iv) Chasses d'eau: Toutes les cuvettes WC et tous les réservoirs de chasse Imperial Bathrooms évacuent 6 litres d'eau en conformité aux normes EN européennes.

(v) Baignoires acryliques: Les dimensions des baignoires acryliques sont nominales. La taille finale dépend souvent du gabarit et des finitions incorporés dans le modèle. Il faut soigneusement examiner toutes les baignoires avant l'installation.

(vi) Placage doré ou nickelé: Tous les articles fournis en finition dorée Antique Gold ou nickelée sont placés en Grande-Bretagne et le placage est conforme aux normes britanniques et européennes relatives aux produits en question. Ces articles sur commande spéciale ne peuvent pas être retournés à Imperial.

(vii) Meubles: Les meubles Imperial Bathrooms sont fabriqués dans un ensemble de bois massif et de panneaux bois contreplaqués. Toutes les dimensions mentionnées sont nominales et doivent être vérifiées par rapport au produit réel. Le bois utilisé provient de sources renouvelables et bien que toutes les précautions aient été prises dans la fabrication des produits en bois, il y aura inévitablement des variations de la couleur et du grain du bois d'un article à l'autre ; en fait, ces variations font partie de la beauté du produit et l'esthétique exclusif d'un matériau naturel. Si du verre dépoli est incorporé, on n'utilise que du verre de sécurité trempé.

(viii) Baignoires en fonte: Au cours de la fabrication, une couche épaisse d'émail au poudré est fondue sur la surface interne de la fonte chauffée au rouge. Mais ce processus établi de longue date peut produire des rides, des petites dépressions et des mouchettes à la surface, qui font en fait partie du caractère et de l'attraction de ce type de produit. Ceci est normal et prévu, et n'altère pas la performance de la baignoire.

(ix) Pressions en bars: La pression de service recommandée pour les robinets, mélangeurs et mitigeurs de douche varie de 0,3 à 5 bars. Si la pression est supérieure, il faudra incorporer un détendeur de pression dans le système.

(x) Carrelage: Vos carreaux ont été fabriqués pour simuler l'aspect (dimensions, forme, couleur, épaisseur, ton du vernissage) d'un carreau fait main et à ce titre, ils présentent tous un aspect différent. Les uns des autres. Afin d'obtenir un nuancier harmonieux, nous recommandons de prendre des carreaux provenant de plusieurs cartons différents pour votre application. Nous recommandons un joint de 3 mm pour donner la meilleure présentation esthétique. Utiliser uniquement des adhésifs et des joints imperméables. Pour toutes caractéristiques techniques complémentaires, et pour des instructions complètes pour l'installation des carrelages, veuillez contacter le bureau de vente au n° +44 19 22 74 30 74.

ENTRETIEN DE VOTRE SALLE DE BAINS

Sanitaires: Pour nettoyer la finition émaillée de vos sanitaires après usage, appliquer un peu de produit de nettoyage de type crème. L'appliquer avec une éponge

ou un chiffon humide, puis rincer soigneusement à l'eau du robinet. Éviter les produits de nettoyage contenant des matériaux abrasifs.

Robinetterie et accessoires dorés Antique Gold, chromés ou nickelés: Les nettoyer à l'eau chaude savonneuse, puis les sécher avec un chiffon doux. Il ne faut en aucun cas utiliser de javel ou de produits de nettoyage abrasifs, de polish ni de détergent sur les surfaces plaquées. À noter que si ces produits sont utilisés sur des articles nickelés ou dorés, la surface risque d'être endommagée.

Baignoires acryliques: Nettoyer ces baignoires avec des produits de nettoyage non abrasifs similaires.

Meubles sous vasque pour salles de bains, sièges et panneaux de baignoires: On peut les essuyer avec un chiffon humide, puis les sécher avec un chiffon sec doux. L'utilisation de polish contenant du silicone ou des matériaux abrasifs risque d'abîmer la finition du bois. Utiliser en très petite quantité les polish à cire naturelle avec un chiffon doux et sec.

Pierre / Marbre: Pour vous aider à les utiliser, chaque dalle de pierre / marbre est déjà pré-étanchéisée, mais il faut les entretenir à intervalles réguliers en prenant les précautions et en utilisant des produits d'étanchéisation appropriés. Nous avons utilisé un produit d'imprégnation spécial qui protège les surfaces en pierre naturelle absorbantes et sensibles aux taches de manière optimale. Il empêche essentiellement l'huile, les graisses et l'eau d'y pénétrer, et facilite toutes les autres opérations d'entretien. L'utilisation de produits d'entretien modernes et appropriés facilitera le processus de nettoyage et permettra aux surfaces en pierre de conserver un bel aspect plus frais. Nous recommandons de refaire le conditionnement de l'article acheté tous les trois mois ou tous les six mois selon l'intensité d'usage.

Carrelages: Pour nettoyer les carreaux, les laver à l'eau chaude dans laquelle on aura ajouté un détergent neutre, transparent et à faible teneur en sulfate. Après le nettoyage, bien les rincer à l'eau propre, puis les faire briller avec un chiffon propre, doux et sec.

POLITIQUE DE FABRICATION

1. La politique de The IBC Products Ltd est de poursuivre le perfectionnement continu de nos produits. Nous nous réservons le droit de modifier ou changer les caractéristiques / dimensions et prix sans préavis, et de retirer des articles / couleurs spécifiques sans préavis.

2. Dans cette brochure, la reproduction des couleurs est aussi exacte que le permettent les paramètres du processus de la photographie et de l'impression.

3. The IBC Products Ltd prend toutes les précautions pour s'assurer que les produits qu'elle vous fournit sont en parfait état. Toutefois, il faut contrôler les produits achetés afin de rechercher tout vice (ou dommage) de fabrication avant d'effectuer les travaux d'installation. Nous déclinons toute responsabilité pour tout défaut qui était visible avant ou s'est produit à la suite de l'installation.

GARANTIES (EXPORTATIONS)

1. La porcelaine vitrifiée fabriquée par The IBC Products Ltd est garantie vingt-cinq ans contre toute défaillance causée par un vice de fabrication.

2. Les robinets, mélangeurs, accessoires et mitigeurs de douche sont garantis un an contre tout vice de fabrication. Cette garantie exclut les surfaces plaquées et les pièces remplaçables qui sont soumises à un usage normal (ex. rondelles).

3. Les meubles pour salles de bains Imperial Bathrooms sont garantis un an contre tout vice de fabrication à partir de leur installation.

4. Toutes les baignoires Imperial Bathrooms sont garanties 5 ans contre tout vice de fabrication.

5. Tous les composants incorporés dans les systèmes de baignoires balnéo Hydro Jet Whirlpool sont garantis un an.

6. Tous les produits en pierre ou en marbre sont garantis un an contre tout vice de fabrication, mais ne sont pas garantis contre les taches / la décoloration.

7. Les carrelages sont garantis un an contre tout vice de fabrication, mais ne sont pas garantis contre les taches / la décoloration.

8. Les radiateurs ont une garantie de 2 ans pour tous problèmes de fabrication. Cela exclut tout problèmes de finitions, de plaquages et de système électrique.

RECLAMATIONS AUX TERMES DE LA GARANTIE IMPERIAL

Pour faire une réclamation aux termes de la garantie, il faut satisfaire aux conditions suivantes:

1. Accompanyer la réclamation d'un justificatif d'achat.
2. Le produit doit avoir été installé conformément à nos instructions de fixation, aux normes EN et aux bonnes pratiques générales de plomberie.
3. Nous devons nous assurer que le produit a été entretenu et maintenu conformément à nos instructions d'entretien. Nous déclinons toute responsabilité pour la défaillance d'un produit si celui-ci a été modifié, a subi un usage négligent ou abusif ou a été délabrément ou accidentellement endommagé. Il doit avoir été utilisé uniquement dans le but pour lequel il est conçu.
4. Nous devons pouvoir bénéficier de toute possibilité raisonnable d'inspecter le produit dans la situation où il est installé. Si le produit est retiré, il faut le conserver pour l'inspection.
5. Notre politique est de poursuivre le perfectionnement continu de nos produits. Si un produit est défaillant aux termes de la garantie et qu'un remplacement soit proposé, mais que des articles identiques ne soient plus disponibles, nous le remplacerons par l'article équivalent le plus proche.
6. Cette garantie ne s'applique qu'au seul produit en question, et non pas à l'ensemble de la salle de bains.
7. Nous ne supporterons pas les coûts des réparations ni des remplacements si le défaut du produit est dû à l'un des cas suivants : dommage accidentel ou malveillant, usage abusive, négligence, usage générale, dommage dû à une mauvaise installation ou mauvais entretien, ou toute perte conséquente, si des modifications du produit ont été faites, si le produit n'a pas été utilisé uniquement dans le but pour lequel il est conçu, usage inapproprié.

8. Ces conditions sont régies par la législation de l'Angleterre et du Pays de Galles, et chaque partie accepte de se soumettre à la juridiction des tribunaux anglais.

9. Dans la mesure où cela est permis par la législation applicable, autre que la garantie explicite stipulée dans les présentes conditions, nous (ou tout autre fournisseur tiers) ne faisons aucune garantie supplémentaire, explicite ou implicite, et rejetons toutes les garanties implicites, que ce soit en fait ou par l'exécution de la loi, des règlements ou autres, y compris les garanties ou conditions de qualité marchande ou de l'adéquation à un but particulier. Toutes les garanties qui ne peuvent pas être rejetées aux termes de la législation applicable sont limitées dans la durée à la période de garantie. Aucune garantie, explicite ou implicite, ne sera appliquée après cette période. Nous (ou tout autre fournisseur tiers) ne serons en aucun cas responsables de tous dommages spéciaux, indirects, secondaires ou conséquents, pertes, coûts ou dépenses, quelle que soit la manière dont ils sont survenus, que ce soit de nature contractuelle ou délictuelle, y compris et sans réserves, toutes pertes économiques de toutes sortes, toutes pertes ou tout dommage de la propriété, tous frais de main-d'œuvre pour la remise du produit, toutes blessures, tout dommage ou toutes blessures découlant ou résultant d'un usage négligent ou abusif, ou de l'installation, l'intégration ou du fonctionnement incorrect(e) du produit. Nous n'assurons ni n'autorisons de tiers à assumer de responsabilité en rapport avec la réparation ou le remplacement du produit, et nous limitons toute réclamation à la valeur des marchandises de remplacement et non pas aux frais conséquents (comme par exemple, les frais de plomberie

10. La garantie n'est pas transférable et s'applique uniquement à l'acheteur / au revendeur original.

Pour obtenir des plans techniques et les dimensions, veuillez vous référer à notre site Internet technique: www.ImperialTechSpec.com

Composite Worktop Options

Hand Made in the UK, please see below the various finish options available for our worktops.



Carrara White (Gloss Finish)



Concrete Haze (Satin Finish)



White (Satin Finish)



Nimbus Grey (Satin Finish)

TOILET SEAT FITMENT GUIDE

WHICH TOILET SEAT SHOULD I ORDER?

COLLECTION	ITEM	SOFT - CLOSE
ETOILE/UK	Wall-hung pan Back to wall pan Close coupled pan Pan & low level cistern Pan & high level cistern	Oval Etoile Etoile Etoile Etoile
CHELSEA/EXPORT	Wall-hung pan Back to wall pan Close coupled pan Pan & low level cistern Pan & high level cistern	Oval Chelsea Chelsea Chelsea Chelsea
CARLYON	Wall-hung pan Back to wall pan Close coupled pan	Oval Windsor Windsor
ASTORIA DECO	Wall-hung pan Close coupled pan Pan & low level cistern Pan & high level cistern	Oval Windsor Oval Oval
DRIFT	Wall-hung pan Close coupled pan Pan & low level cistern Pan & high level cistern	Oval Windsor Drift Drift
RADCLIFFE	Wall-hung pan Close coupled pan Pan & low level cistern Pan & high level cistern	Oval Radcliffe Radcliffe Radcliffe
WESTMINSTER/UK	Close coupled pan Pan & low level cistern Pan & high level cistern	Westminster Westminster Westminster
OXFORD/UK	Close coupled pan Pan & low level cistern Pan & high level cistern	Oval Drift Drift
FIRENZE/UK	Wall-hung pan Back to wall pan Close coupled pan Pan & low level cistern Pan & high level cistern	Oval Oval Oval Oval Oval
HEYFORD/EXPORT	Close coupled pan Pan & low level cistern Pan & high level cistern	Windsor Drift Drift
BERGIER/EXPORT	Wall-hung pan Back to wall pan Close coupled pan Pan & low level cistern Pan & high level cistern	Oval Oval Oval Oval Oval
REGENT	Wall-hung pan Back to wall pan Close coupled pan	Regent Regent Regent
LICHFIELD	Back to wall pan Close coupled pan Pan & low level cistern Pan & high level cistern	Lichfield Lichfield Lichfield Lichfield

